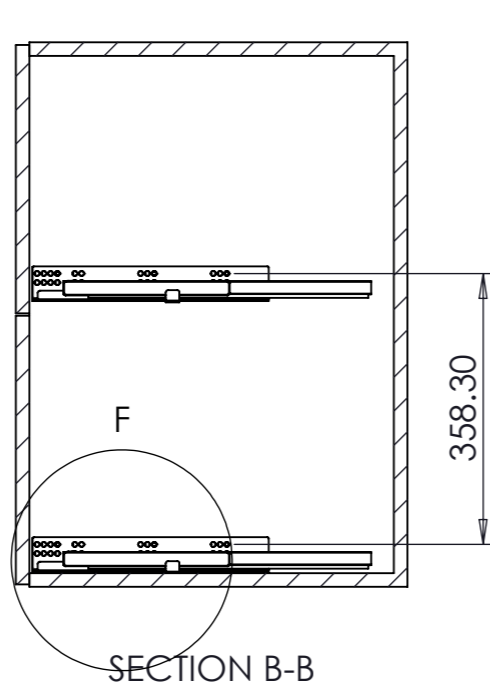
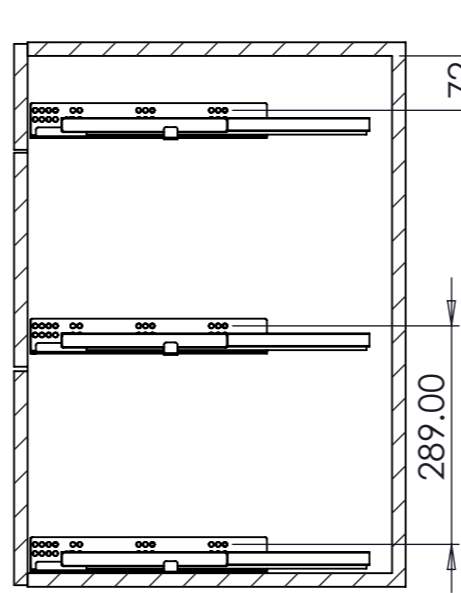


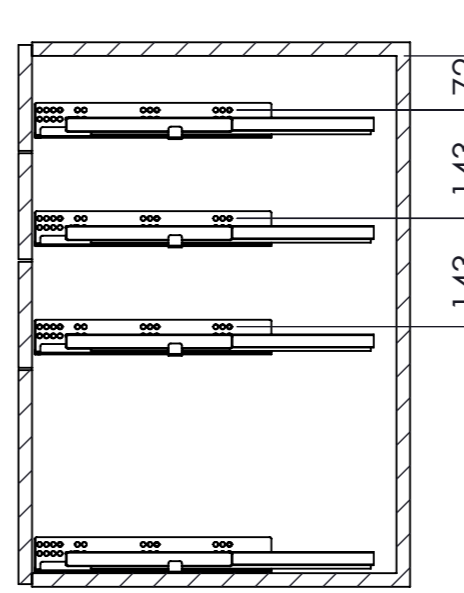
SECTION A-A



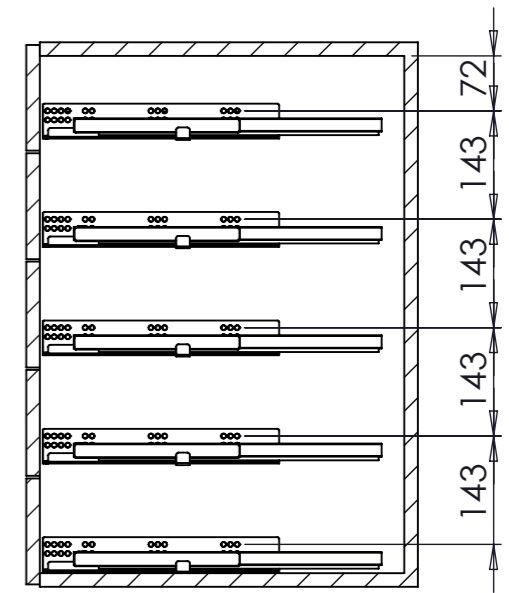
SECTION B-B



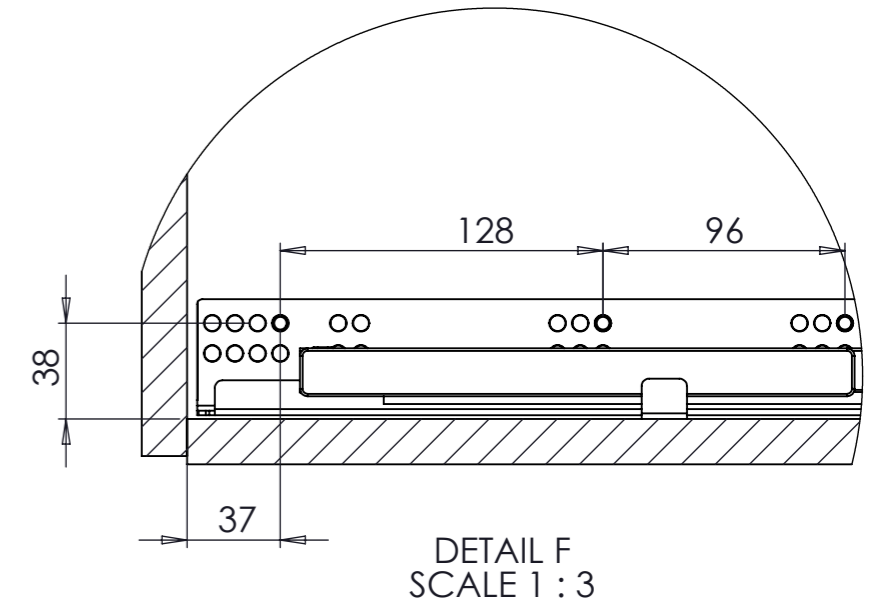
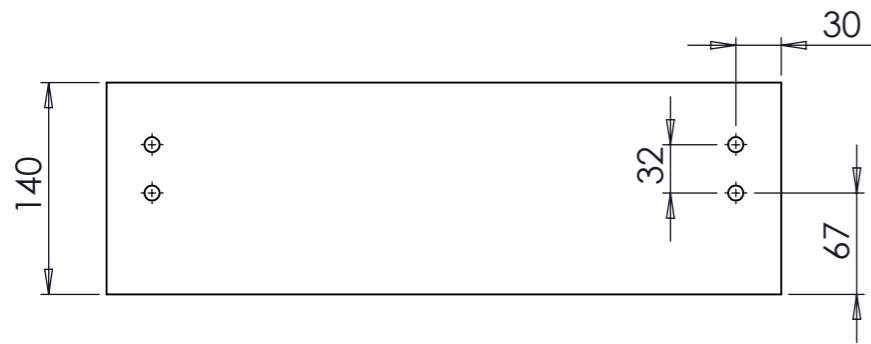
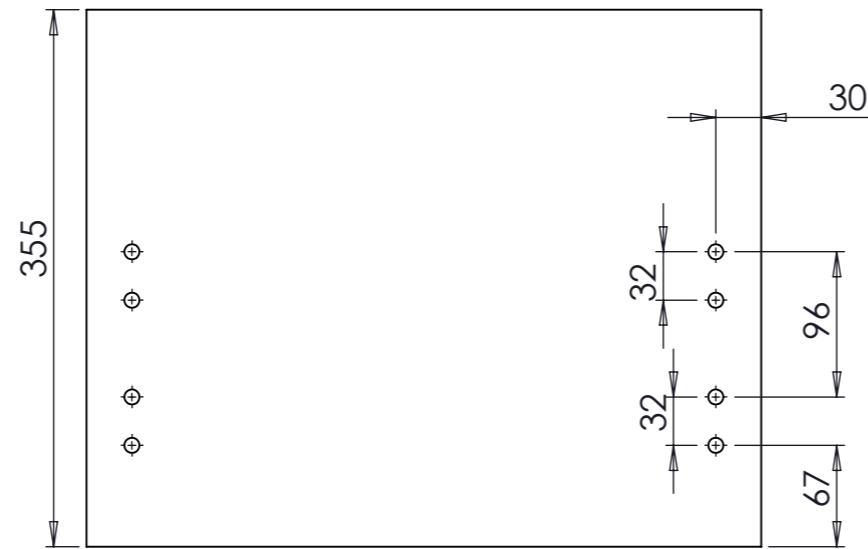
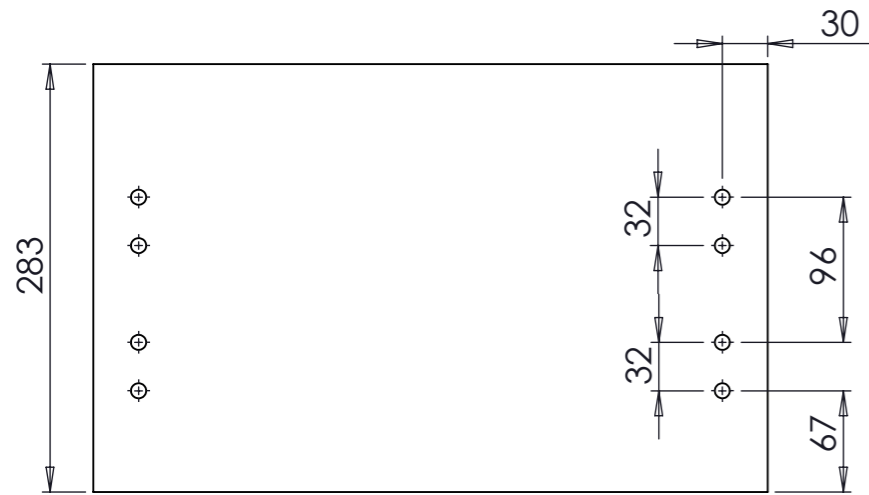
SECTION C-C



SECTION D-D



SECTION E-E



REV.	COMMENT	MODIFICATION DATE
A		24-10-2024