



DOUBLE-WALL DRAWER SYSTEMS

MAGIC-STAR PLUS

MAGIC-STAR PLUS

The Metal Straight-sided Slim Drawer

A Perfect Mix of Function and Elegance



- Linear slim drawer sides - a fashion look and elegant appearance
- Perfect connection between components makes a beautiful drawer



Quietness



Intelligence



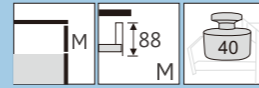
Durability



Eco-Friendliness

MAGIC-STAR PLUS

HD11 Series Straight-sided Drawer System (Low Drawer: M Height)



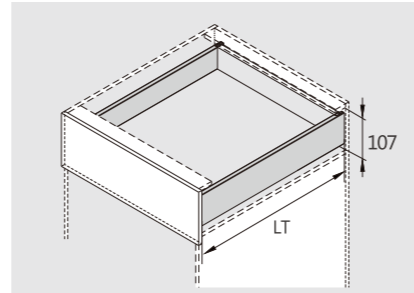
PRODUCT



DESCRIPTION

- Concealed, full extension
- Load capacity: 40kg
- Tool free assembly and removal of drawer
- Silent system guarantees smooth run without noise
- 2D adjustment: Up & down adjustment: ± 2 mm, left & right adjustment: ± 1.5 mm
- Finish: Silk white(E29), Grey matt(E30)

SPACE REQUIREMENT

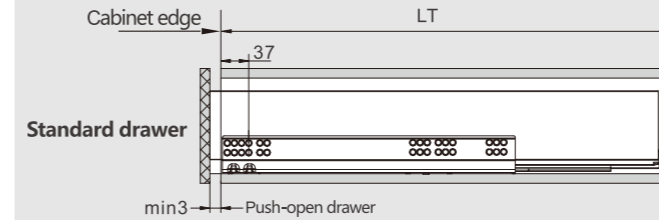


LT=Internal Cabinet Depth
LT=NL+3

PLANNING

Installation Dimensions(mm)

NL=Nominal Slide Length
LT=Internal Cabinet Depth
LT=NL+3



Cabinet Configuration

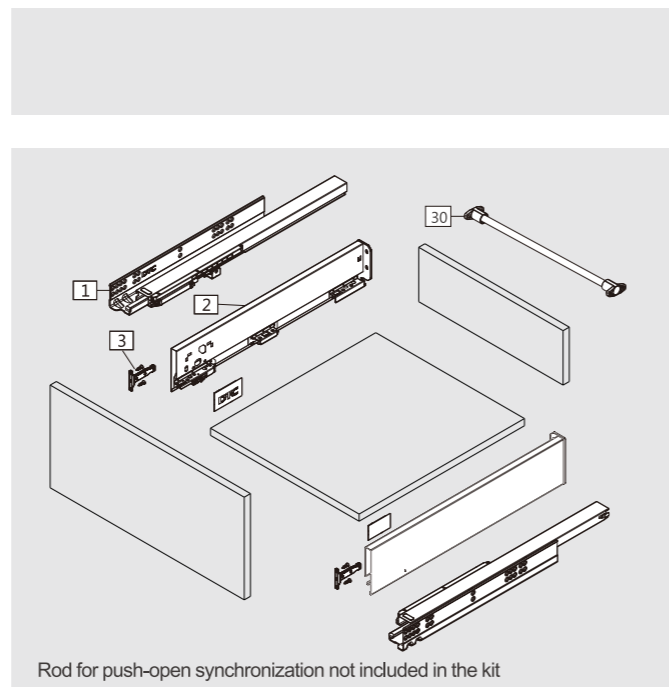
Cabinet widths/KB(mm)	Push-open drawer Synchronization rod	
300	○	○ recommended
350	○	
400	○	
450	○	
500	○	
600	○	
800	●	● strongly recommended
900	●	
1000	●	
1200	●	

LOW DRAWER FOR WOOD DRAWER BACK

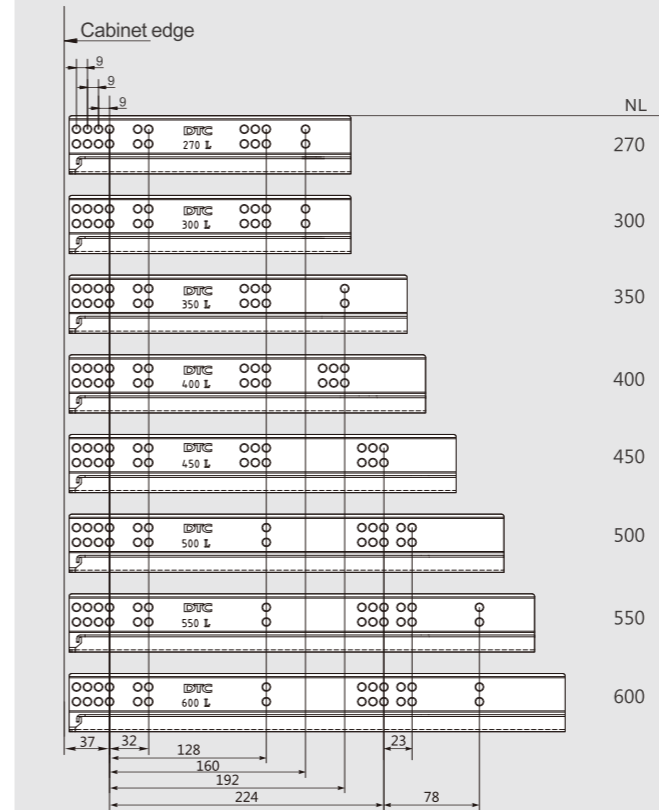
Kit Package				1 Slides (left/right) /Industrial Package				2 Drawer Sides and Cover Caps (left/right) /Industrial Package			
Silk White(E29)! Grey Matt(E30)!				Pre-zinc Steel(F02)				Silk White(E29)! Grey Matt(E30)!			
NL	Soft Close item No.	Push-open item No.	Set/ctn	NL	Soft Close item No.	Push-open item No.	Set/ctn	NL	Item No.	Set/ctn	
270mm	HD11270A19	HD41270A19	1	270mm	HD10270H	HD40270H	5	270mm	HE112709	5	
300mm	HD11300A19	HD41300A19	1	300mm	HD10300H	HD40300H	5	300mm	HE113009	5	
350mm	HD11350A19	HD41350A19	1	350mm	HD10350H	HD40350H	5	350mm	HE113509	5	
400mm	HD11400A19	HD41400A19	1	400mm	HD10400H	HD40400H	5	400mm	HE114009	5	
450mm	HD11450A19	HD41450A19	1	450mm	HD10450H	HD40450H	5	450mm	HE114509	5	
500mm	HD11500A19	HD41500A19	1	500mm	HD10500H	HD40500H	5	500mm	HE115009	5	
550mm	HD11550A19	HD41550A19	1	550mm	HD10550H	HD40550H	5	550mm	HE115509	5	
600mm	HD11600A19	HD41600A19	1	600mm	HD10600H	HD40600H	5	600mm	HE116009	5	

3 Front Fixing-brackets (left/right) / Industrial Package			
Pre-zinc Steel(F02)			
	Item No.	Set/ctn	
Screw-on	HT11011	120	
Press-in	HT11016	120	

30 Rod for Push-open Synchronization / Industrial Package			
Size:1100mm.Cutting:Internal cabinet width LW-172 for Nominal Side Length: 350mm、400mm、450mm、500mm、550mm、600mm			
Item No.	Set/ctn		
HT0FH02	60		

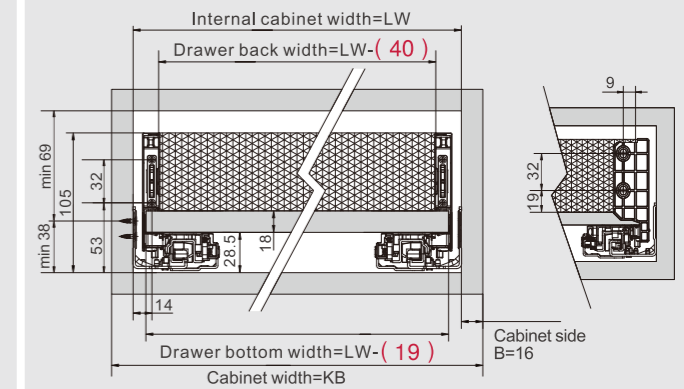


Screw Positions of the Slides(mm)

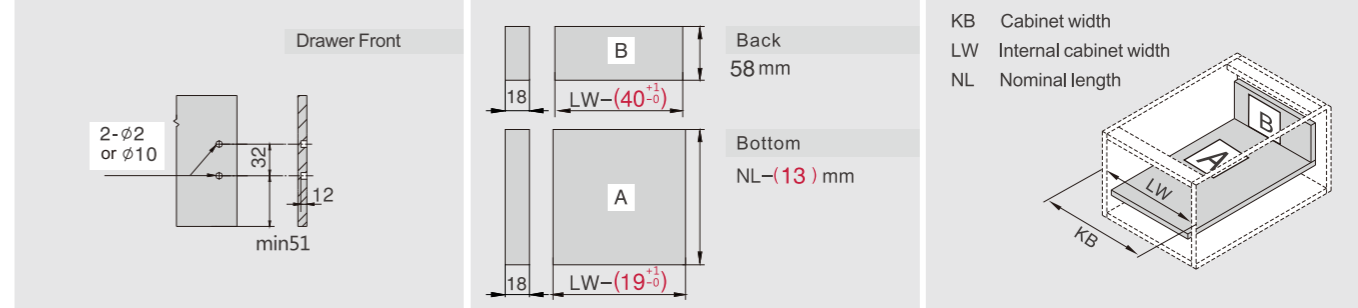


Installation Dimensions(mm)

LW=Internal Cabinet Width

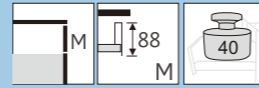


Drawer Front, Back and Bottom Dimensions(mm)



MAGIC-STAR PLUS

HD11 Series Straight-sided Drawer System (Low Inner Drawer: M Height)



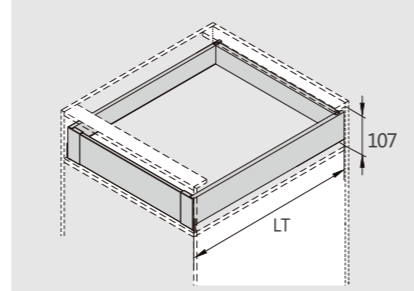
PRODUCT



DESCRIPTION

- Concealed, full extension
- Load capacity: 40kg
- Tool free assembly and removal of drawer
- Silent system guarantees smooth run without noise
- 2D adjustment: Up & down adjustment: ± 2 mm, left & right adjustment: ± 1.5 mm
- Finish: Silk white(E29), Grey matt(E30)

SPACE REQUIREMENT

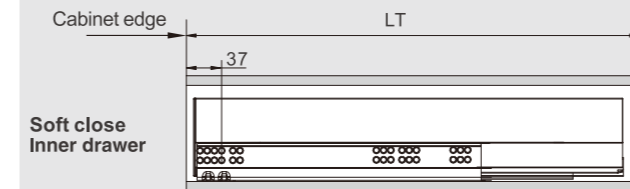


LT=Internal Cabinet Depth
Soft close slides LT=NL+3
Push-open slides LT=NL+13

PLANNING

Installation Dimensions(mm)

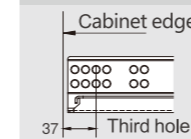
NL=Nominal Slide Length
LT=Internal Cabinet Depth
Soft close slides LT=NL+3
Push-open slides LT=NL+13



Cabinet Configuration

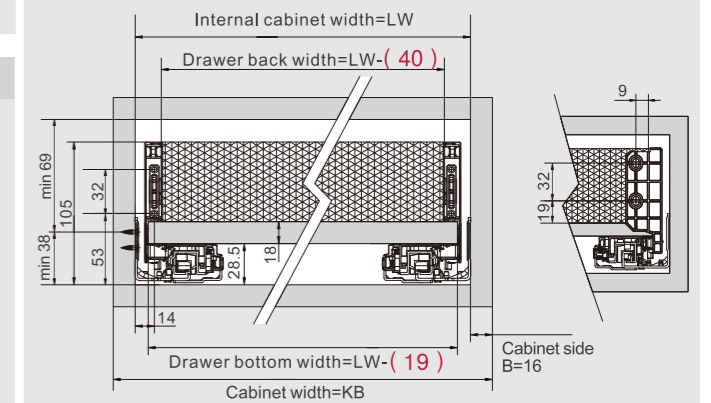
Cabinet widths/KB(mm)	Push-open drawer Synchronization rod	
300	○	○ recommended
350	○	
400	○	
450	○	
500	○	
600	○	● strongly recommended
800	●	
900	●	
1000	●	
1200	●	

Fixing Hole Position for Push-open Inner Drawer(mm)



Installation Dimensions(mm)

LW=Internal Cabinet Width



LOW INNER DRAWER FOR WOOD DRAWER BACK

Kit Package			
NL	Soft Close item No.	Push-open item No.	Set/ctn
270mm	HD11270Q19	HD41270Q19	1
300mm	HD11300Q19	HD41300Q19	1
350mm	HD11350Q19	HD41350Q19	1
400mm	HD11400Q19	HD41400Q19	1
450mm	HD11450Q19	HD41450Q19	1
500mm	HD11500Q19	HD41500Q19	1
550mm	HD11550Q19	HD41550Q19	1
600mm	HD11600Q19	HD41600Q19	1

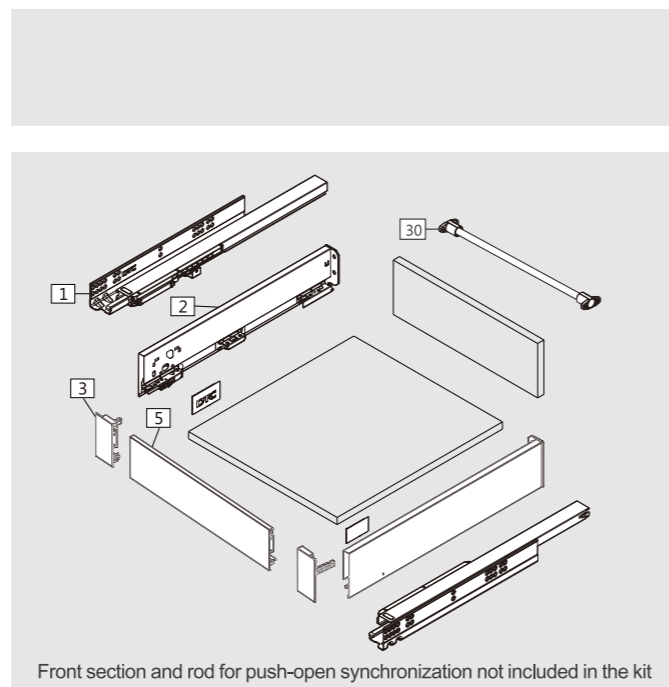
1 Slides (left/right) /Industrial Package			
NL	Soft Close item No.	Push-open item No.	Set/ctn
270mm	HD10270H	HD40270H	5
300mm	HD10300H	HD40300H	5
350mm	HD10350H	HD40350H	5
400mm	HD10400H	HD40400H	5
450mm	HD10450H	HD40450H	5
500mm	HD10500H	HD40500H	5
550mm	HD10550H	HD40550H	5
600mm	HD10600H	HD40600H	5

2 Drawer Sides and Cover Caps (left/right) /Industrial Package		
NL	Item No.	Set/ctn
270mm	HE112709	5
300mm	HE113009	5
350mm	HE113509	5
400mm	HE114009	5
450mm	HE114509	5
500mm	HE115009	5
550mm	HE115509	5
600mm	HE116009	5

3 Front Fixing-brackets (left/right) / Industrial Package	
Item No.	Set/ctn
White(H03)! Dark Grey(H11)	60
HT11012	60

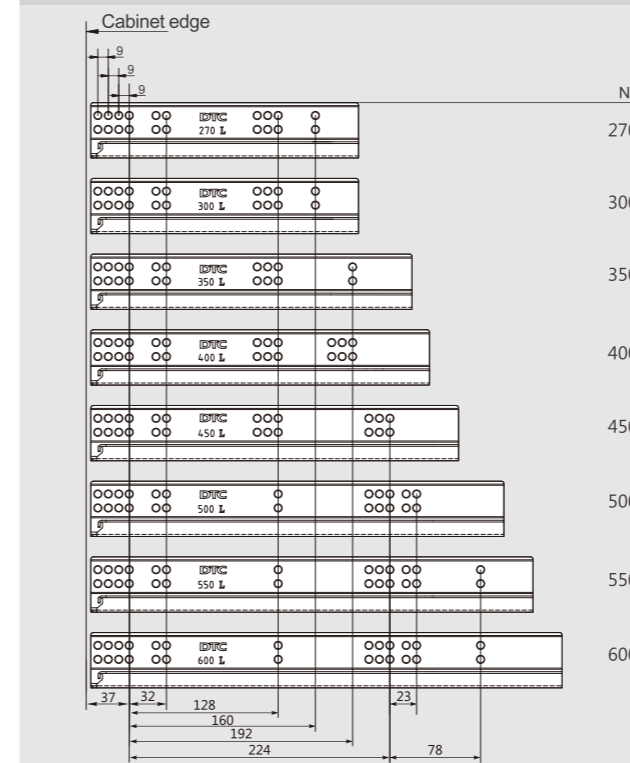
5 Front Section / Industrial Package	
Item No.	Set/ctn
Size:1100mm.Cutting:Internal cabinet width LW-97	20
Silk White(E29)! Grey Matt(E30)	HT10022

30 Rod for Push-open Synchronization / Industrial Package	
Item No.	Set/ctn
Size:1100mm.Cutting:Internal cabinet width LW-172 for Nominal Side Length: 350mm, 400mm, 450mm, 500mm, 550mm, 600mm	60
HT0FH02	60

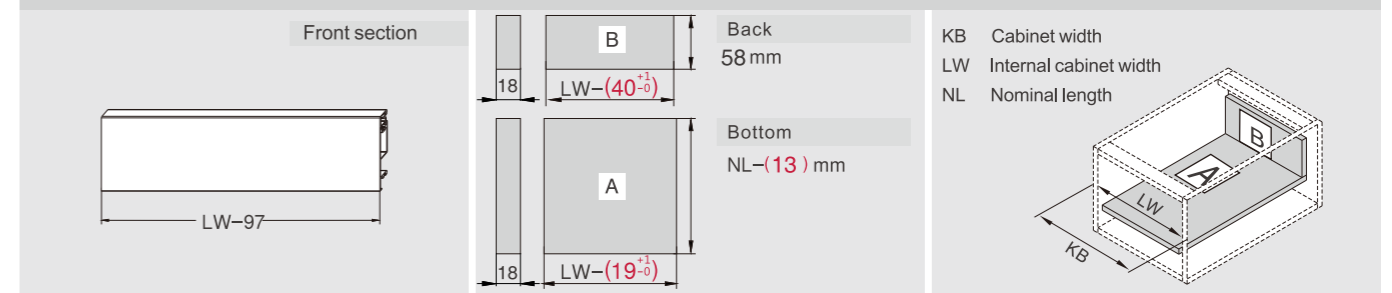


Front section and rod for push-open synchronization not included in the kit

Screw Positions of the Slides(mm)

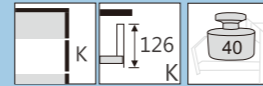


Front Section, Back and Bottom Dimensions(mm)



MAGIC-STAR PLUS

HD12 Series Straight-sided Drawer System (Medium Drawer: K Height)



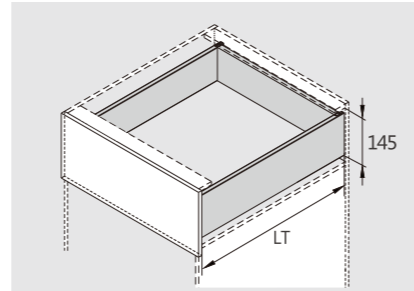
PRODUCT



DESCRIPTION

- Concealed, full extension
- Load capacity: 40kg
- Tool free assembly and removal of drawer
- Silent system guarantees smooth run without noise
- 2D adjustment: Up & down adjustment: ± 2 mm, left & right adjustment: ± 1.5 mm
- Finish: Silk white(E29), Grey matt(E30)

SPACE REQUIREMENT

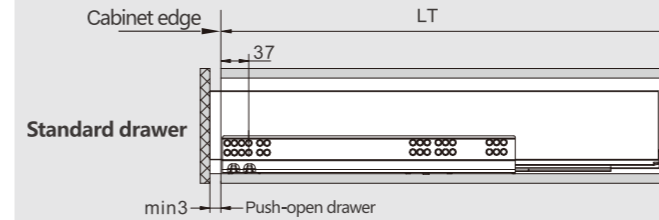


LT=Internal Cabinet Depth
LT=NL+3

PLANNING

Installation Dimensions(mm)

NL=Nominal Slide Length
LT=Internal Cabinet Depth
LT=NL+3



Cabinet Configuration

Cabinet widths/KB(mm)	Push-open drawer Synchronization rod	
300	○	○ recommended
350	○	
400	○	
450	○	
500	○	
600	○	● strongly recommended
800	●	
900	●	
1000	●	
1200	●	

MEDIUM DRAWER FOR WOOD DRAWER BACK

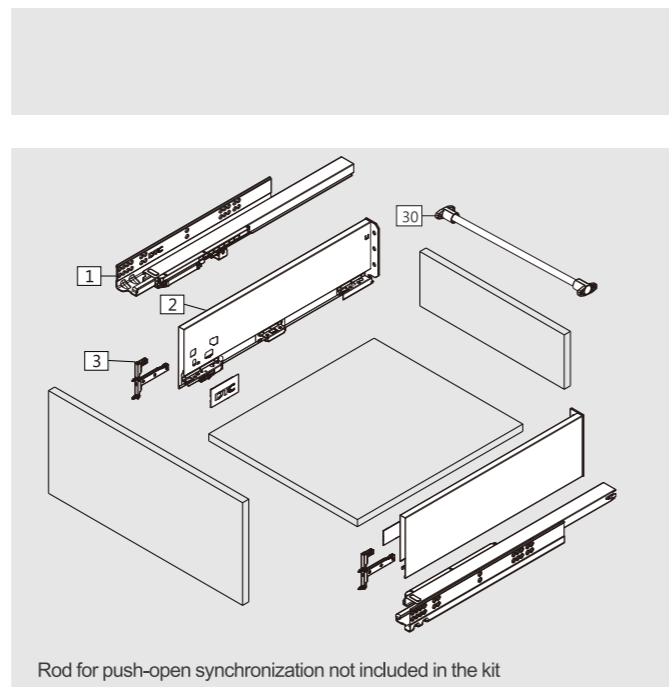
Kit Package			
Silk White(E29)! Grey Matt(E30)!			
NL	Soft Close item No.	Push-open item No.	Set/ctn
270mm	HD12270A19	HD42270A19	1
300mm	HD12300A19	HD42300A19	1
350mm	HD12350A19	HD42350A19	1
400mm	HD12400A19	HD42400A19	1
450mm	HD12450A19	HD42450A19	1
500mm	HD12500A19	HD42500A19	1
550mm	HD12550A19	HD42550A19	1
600mm	HD12600A19	HD42600A19	1

1 Slides (left/right) /Industrial Package			
Pre-zinc Steel(F02)			
NL	Soft Close item No.	Push-open item No.	Set/ctn
270mm	HD10270H	HD40270H	5
300mm	HD10300H	HD40300H	5
350mm	HD10350H	HD40350H	5
400mm	HD10400H	HD40400H	5
450mm	HD10450H	HD40450H	5
500mm	HD10500H	HD40500H	5
550mm	HD10550H	HD40550H	5
600mm	HD10600H	HD40600H	5

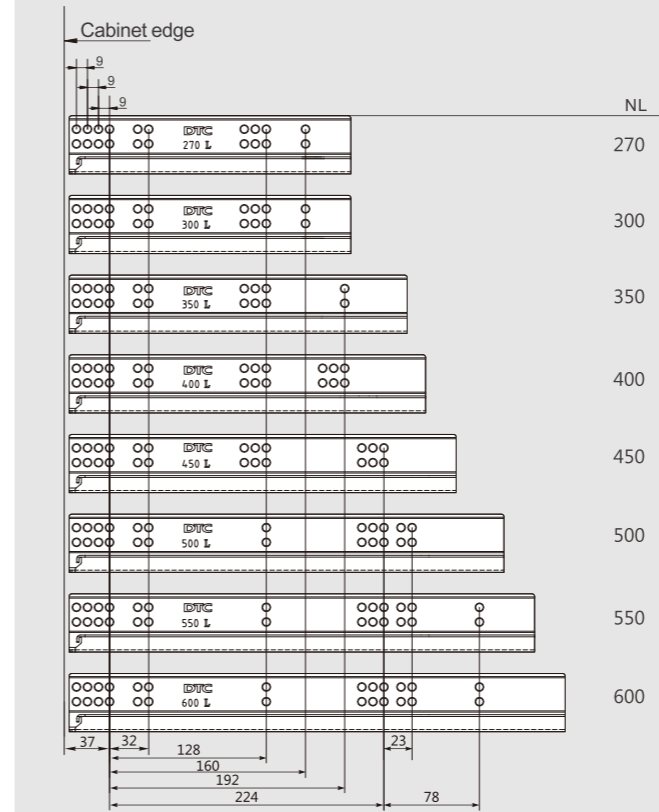
2 Drawer Sides and Cover Caps (left/right) /Industrial Package			
Silk White(E29)! Grey Matt(E30)!			
NL	Item No.	Set/ctn	
270mm	HE122709	5	
300mm	HE123009	5	
350mm	HE123509	5	
400mm	HE124009	5	
450mm	HE124509	5	
500mm	HE125009	5	
550mm	HE125509	5	
600mm	HE126009	5	

3 Front Fixing-brackets (left/right) / Industrial Package			
Pre-zinc Steel(F02)			
	Item No.	Set/ctn	
Screw-on	HT12011	120	
Press-in	HT12016	120	

30 Rod for Push-open Synchronization / Industrial Package			
Size:1100mm.Cutting:Internal cabinet width LW-172 for Nominal Side Length: 350mm、400mm、450mm、500mm、550mm、600mm			
Item No.	HT0FH02	Set/ctn	60

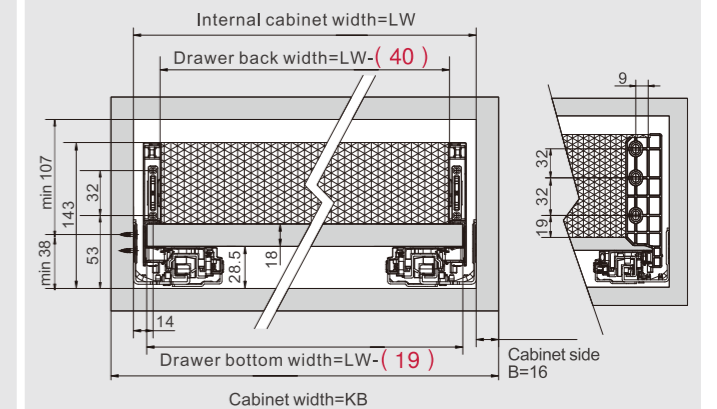


Screw Positions of the Slides(mm)

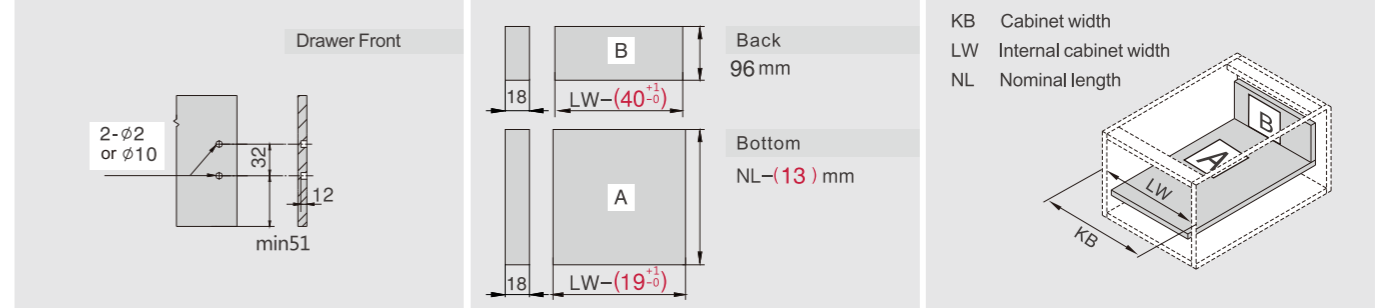


Installation Dimensions(mm)

LW=Internal Cabinet Width

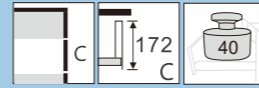


Drawer Front, Back and Bottom Dimensions(mm)



MAGIC-STAR PLUS

HD13 Series Straight-sided Drawer System (High Drawer: C Height)



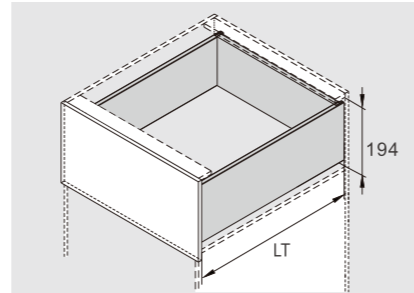
PRODUCT



DESCRIPTION

- Concealed, full extension
- Load capacity: 40kg
- Tool free assembly and removal of drawer
- Silent system guarantees smooth run without noise
- 2D adjustment: Up & down adjustment: ± 2 mm, left & right adjustment: ± 1.5 mm
- Finish: Silk white(E29), Grey matt(E30)

SPACE REQUIREMENT

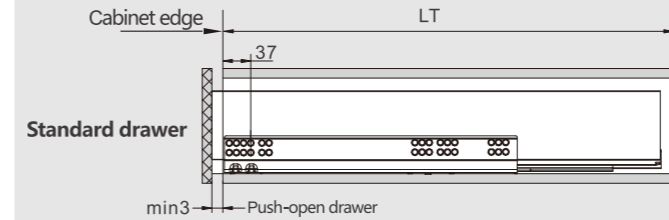


LT=Internal Cabinet Depth
LT=NL+3

PLANNING

Installation Dimensions(mm)

NL=Nominal Slide Length
LT=Internal Cabinet Depth
LT=NL+3



Cabinet Configuration

Cabinet widths/KB(mm)	Push-open drawer Synchronization rod	
300	○	○ recommended
350	○	
400	○	
450	○	
500	○	
600	○	
800	●	● strongly recommended
900	●	
1000	●	
1200	●	

HIGH DRAWER FOR WOOD DRAWER BACK

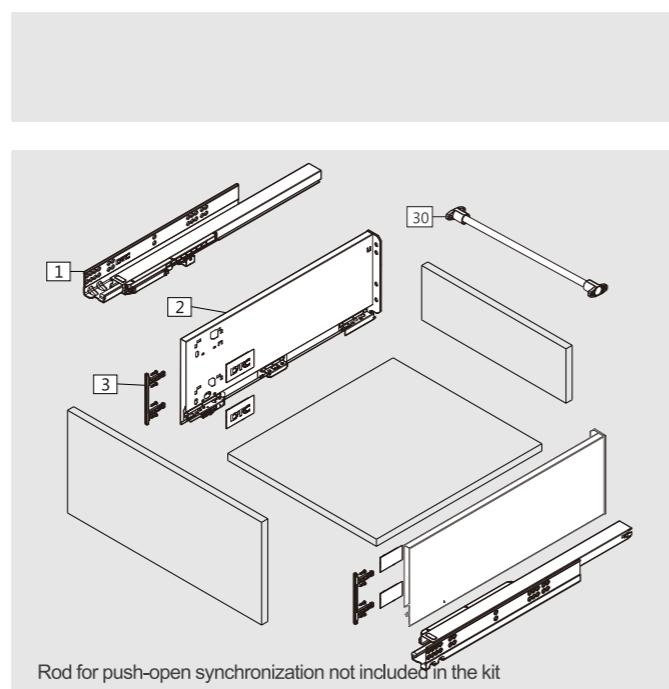
Kit Package			
Silk White(E29)! Grey Matt(E30)!			
NL	Soft Close item No.	Push-open item No.	Set/ctn
270mm	HD13270A19	HD43270A19	1
300mm	HD13300A19	HD43300A19	1
350mm	HD13350A19	HD43350A19	1
400mm	HD13400A19	HD43400A19	1
450mm	HD13450A19	HD43450A19	1
500mm	HD13500A19	HD43500A19	1
550mm	HD13550A19	HD43550A19	1
600mm	HD13600A19	HD43600A19	1

1 Slides (left/right) /Industrial Package			
Pre-zinc Steel(F02)			
NL	Soft Close item No.	Push-open item No.	Set/ctn
270mm	HD10270H	HD40270H	5
300mm	HD10300H	HD40300H	5
350mm	HD10350H	HD40350H	5
400mm	HD10400H	HD40400H	5
450mm	HD10450H	HD40450H	5
500mm	HD10500H	HD40500H	5
550mm	HD10550H	HD40550H	5
600mm	HD10600H	HD40600H	5

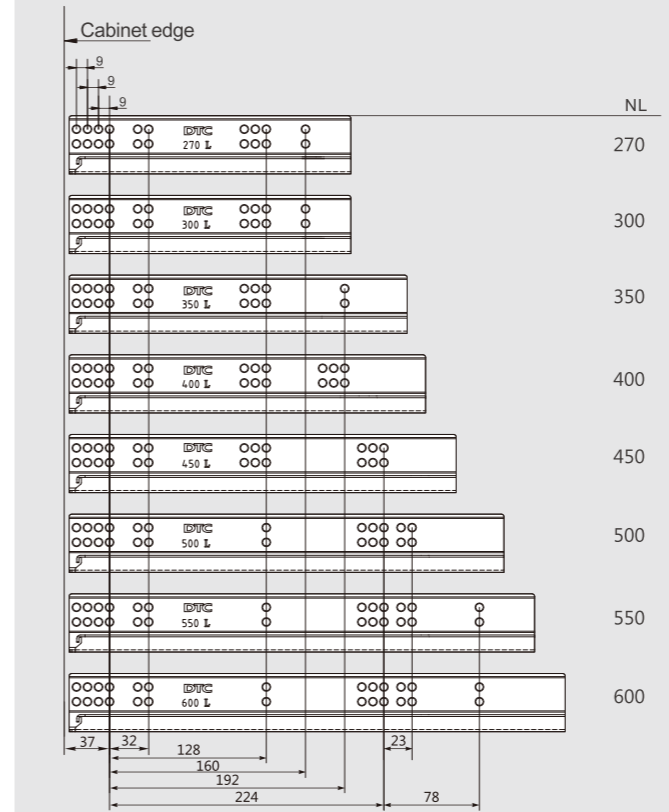
2 Drawer Sides and Cover Caps (left/right) /Industrial Package			
Silk White(E29)! Grey Matt(E30)!			
NL	Item No.	Set/ctn	
270mm	HE132709	5	
300mm	HE133009	5	
350mm	HE133509	5	
400mm	HE134009	5	
450mm	HE134509	5	
500mm	HE135009	5	
550mm	HE135509	5	
600mm	HE136009	5	

3 Front Fixing-brackets (left/right) / Industrial Package			
Blue zinc plated(B02)			
	Item No.	Set/ctn	
Screw-on	HE13011	120	
Press-in	HE13016	120	

30 Rod for Push-open Synchronization / Industrial Package			
Size:1100mm.Cutting:Internal cabinet width LW-172 for Nominal Side Length: 350mm、400mm、450mm、500mm、550mm、600mm			
Item No.	HT0FH02		
Set/ctn	60		

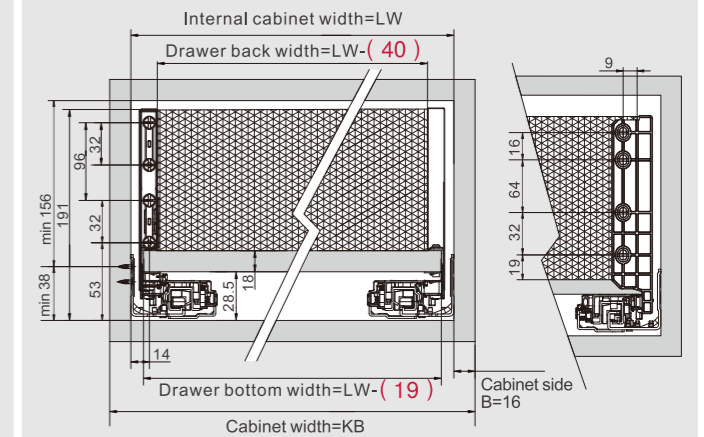


Screw Positions of the Slides(mm)

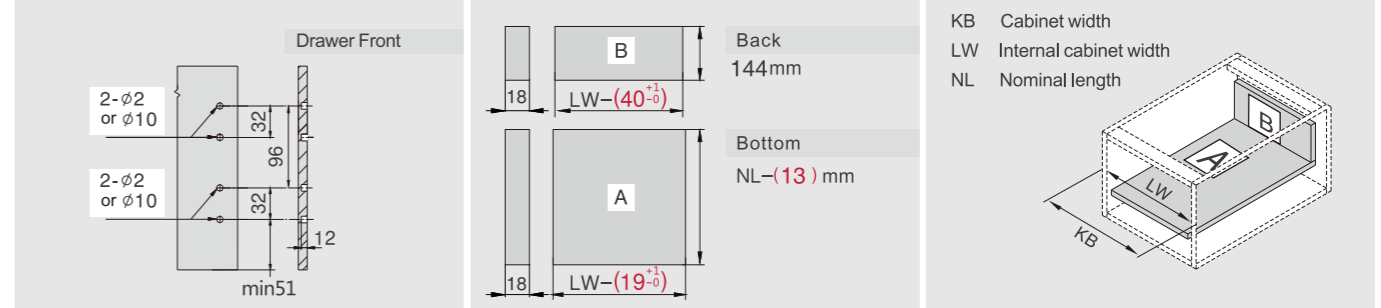


Installation Dimensions(mm)

LW=Internal Cabinet Width

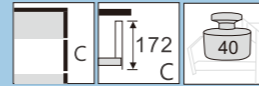


Drawer Front, Back and Bottom Dimensions(mm)



MAGIC-STAR PLUS

HD13 Series Straight-sided Drawer System (High Inner Drawer: C Height)



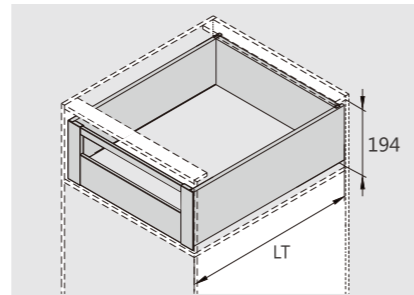
PRODUCT



DESCRIPTION

- Concealed, full extension
- Load capacity: 40kg
- Tool free assembly and removal of drawer
- Silent system guarantees smooth run without noise
- 2D adjustment: Up & down adjustment: ± 2 mm, left & right adjustment: ± 1.5 mm
- Finish: Silk white(E29), Grey matt(E30)

SPACE REQUIREMENT

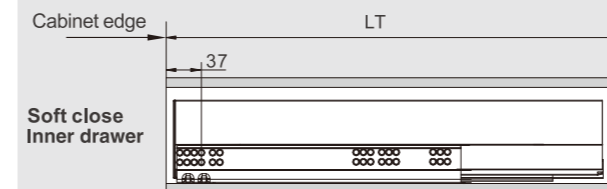


LT=Internal Cabinet Depth
Soft close slides LT=NL+3
Push-open slides LT=NL+13

PLANNING

Installation Dimensions(mm)

NL=Nominal Slide Length Soft close slides LT=NL+3
LT=Internal Cabinet Depth Push-open slides LT=NL+13



Cabinet Configuration

Cabinet widths/KB(mm)	Push-open drawer Synchronization rod	
300	○	○ recommended
350	○	
400	○	
450	○	
500	○	
600	○	
800	●	● strongly recommended
900	●	
1000	●	
1200	●	

HIGH INNER DRAWER WITH SQUARE CROSS RAIL FOR WOOD DRAWER BACK

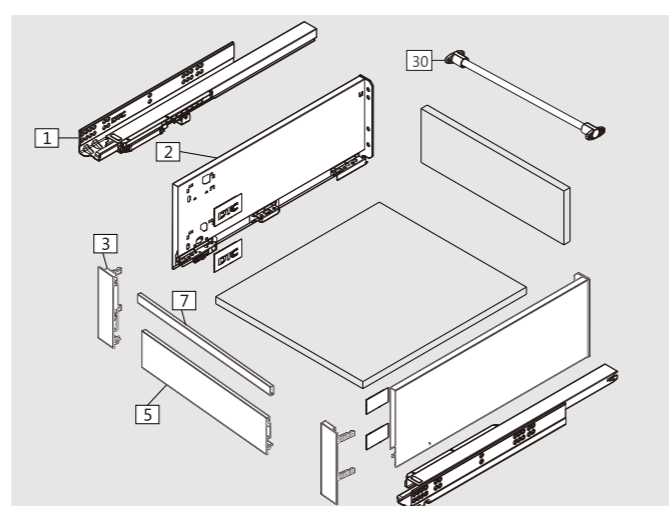
Kit Package				1 Slides (left/right) /Industrial Package				2 Drawer Sides and Cover Caps (left/right) /Industrial Package			
Silk White(E29)! Grey Matt(E30)!				Pre-zinc Steel(F02)				Silk White(E29)! Grey Matt(E30)!			
NL	Soft Close item No.	Push-open item No.	Set/ctn	NL	Soft Close item No.	Push-open item No.	Set/ctn	NL	Item No.	Set/ctn	
270mm	HD13270Q19	HD43270Q19	1	270mm	HD10270H	HD40270H	5	270mm	HE132709	5	
300mm	HD13300Q19	HD43300Q19	1	300mm	HD10300H	HD40300H	5	300mm	HE133009	5	
350mm	HD13350Q19	HD43350Q19	1	350mm	HD10350H	HD40350H	5	350mm	HE133509	5	
400mm	HD13400Q19	HD43400Q19	1	400mm	HD10400H	HD40400H	5	400mm	HE134009	5	
450mm	HD13450Q19	HD43450Q19	1	450mm	HD10450H	HD40450H	5	450mm	HE134509	5	
500mm	HD13500Q19	HD43500Q19	1	500mm	HD10500H	HD40500H	5	500mm	HE135009	5	
550mm	HD13550Q19	HD43550Q19	1	550mm	HD10550H	HD40550H	5	550mm	HE135509	5	
600mm	HD13600Q19	HD43600Q19	1	600mm	HD10600H	HD40600H	5	600mm	HE136009	5	

3	Front Fixing-brackets (left/right) / Industrial Package
	White(H03)! Dark Grey(H11)
	Item No. HD13014
	Set/ctn 60

7	Square Cross Rail / Industrial Package
	Silk White(E29)! Grey Matt(E30)
	Size:1100mm.Cutting: Item No. HT10071
	Internal cabinet width LW-72 Set/ctn 60

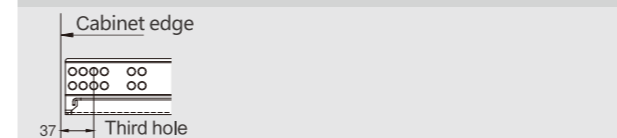
5	Front Section / Industrial Package
	Size:1100mm.Cutting:Internal cabinet width LW-97
	Silk White(E29)! Grey Matt(E30)
	Item No. HT10022
	Set/ctn 20

30	Rod for Push-open Synchronization / Industrial Package
	Size:1100mm.Cutting:Internal cabinet width LW-172 for Nominal Side Length: 350mm, 400mm, 450mm, 500mm, 550mm, 600mm
	Item No. HT0FH02
	Set/ctn 60

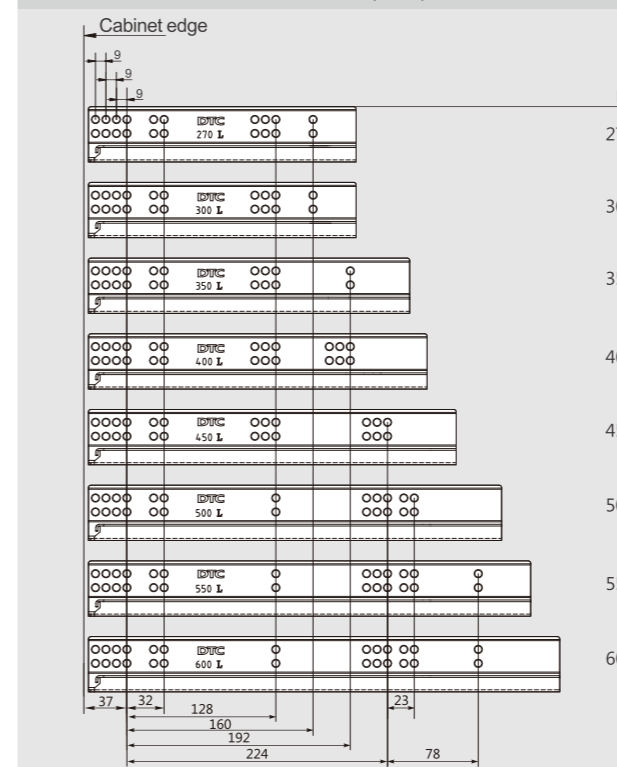


Front section, cross rail and rod for push-open synchronization not included in the kit

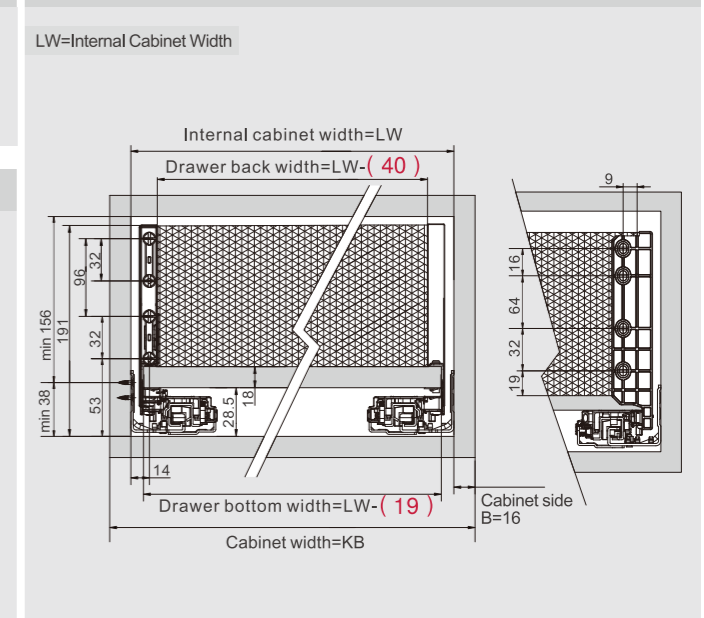
Fixing Hole Position for Push-open Inner Drawer(mm)



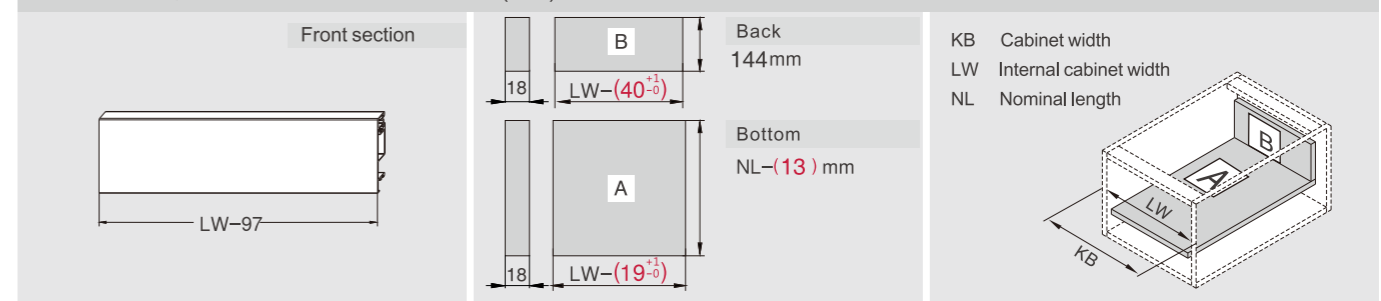
Screw Positions of the Slides(mm)



Installation Dimensions(mm)

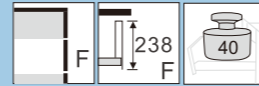


Front Section, Back and Bottom Dimensions(mm)



MAGIC-STAR PLUS

HD14 Series Straight-sided Drawer System (Super High Drawer: F Height)



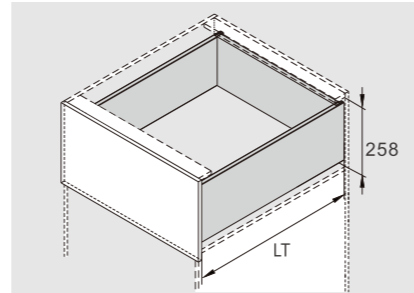
PRODUCT



DESCRIPTION

- Concealed, full extension
- Load capacity: 40kg
- Tool free assembly and removal of drawer
- Silent system guarantees smooth run without noise
- 3D adjustment: Up & down adjustment: ± 2 mm, left & right adjustment: ± 1.5 mm
- tilt adjustment: $+0.5$ mm, -2.5 mm
- Finish: Silk white(E29), Grey matt(E30)

SPACE REQUIREMENT

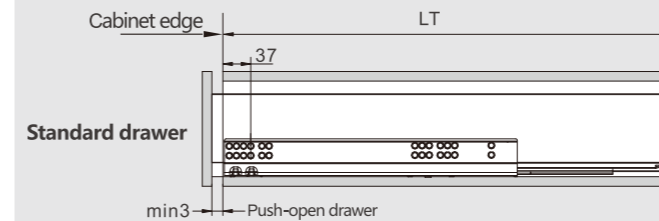


LT=Internal Cabinet Depth
LT=NL+3

PLANNING

Installation Dimensions(mm)

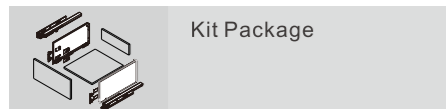
NL=Nominal Slide Length
LT=Internal Cabinet Depth
LT=NL+3



Cabinet Configuration

Cabinet widths/KB(mm)	Soft close drawer Stabilizer	Push-open drawer Synchronization rod	
300	—	○	not recommended
350	—	○	
400	—	○	
450	—	○	
500	—	○	recommended
600	—	○	
800	○	●	strongly recommended
900	○	●	
1000	○	●	
1200	○	●	

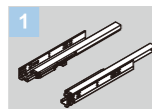
SUPER HIGH DRAWER FOR WOOD DRAWER BACK



Kit Package

Silk White(E29)! Grey Matt(E30)!

NL	Soft Close item No.	Push-open item No.	Set/ctn
270mm	HD14270A19	HD44270A19	1
300mm	HD14300A19	HD44300A19	1
350mm	HD14350A19	HD44350A19	1
400mm	HD14400A19	HD44400A19	1
450mm	HD14450A19	HD44450A19	1
500mm	HD14500A19	HD44500A19	1
550mm	HD14550A19	HD44550A19	1
600mm	HD14600A19	HD44600A19	1



Slides (left/right) /Industrial Package

Pre-zinc Steel(F02)

NL	Soft Close item No.	Push-open item No.	Set/ctn
270mm	HD10270H	HD40270H	5
300mm	HD10300H	HD40300H	5
350mm	HD10350H	HD40350H	5
400mm	HD10400H	HD40400H	5
450mm	HD10450H	HD40450H	5
500mm	HD10500H	HD40500H	5
550mm	HD10550H	HD40550H	5
600mm	HD10600H	HD40600H	5



Drawer Sides and Cover Caps (left/right) /Industrial Package

Silk White(E29)! Grey Matt(E30)!

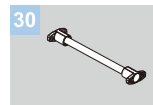
NL	Item No.	Set/ctn
270mm	HE142709	5
300mm	HE143009	5
350mm	HE143509	5
400mm	HE144009	5
450mm	HE144509	5
500mm	HE145009	5
550mm	HE145509	5
600mm	HE146009	5



Front Fixing-brackets (left/right) / Industrial Package

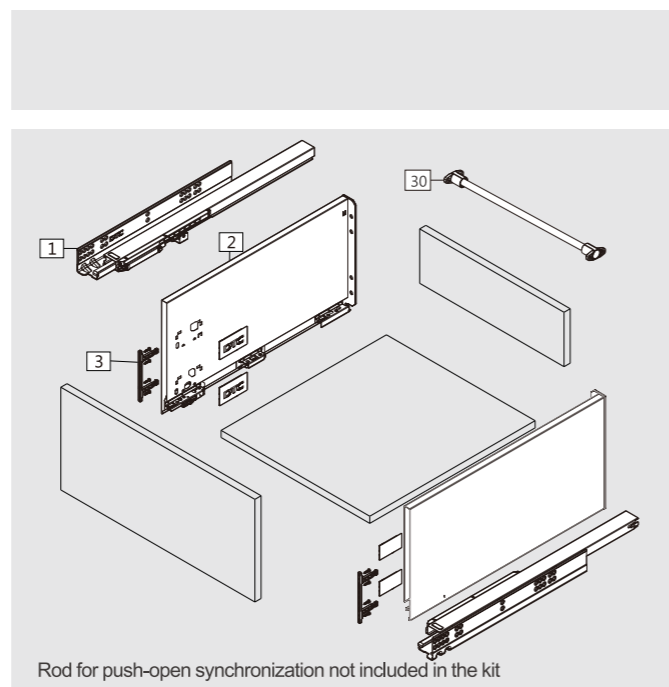
Pre-zinc Steel(F02)

Item No.	Set/ctn
Screw-on HE13011	120
Press-in HE13016	120

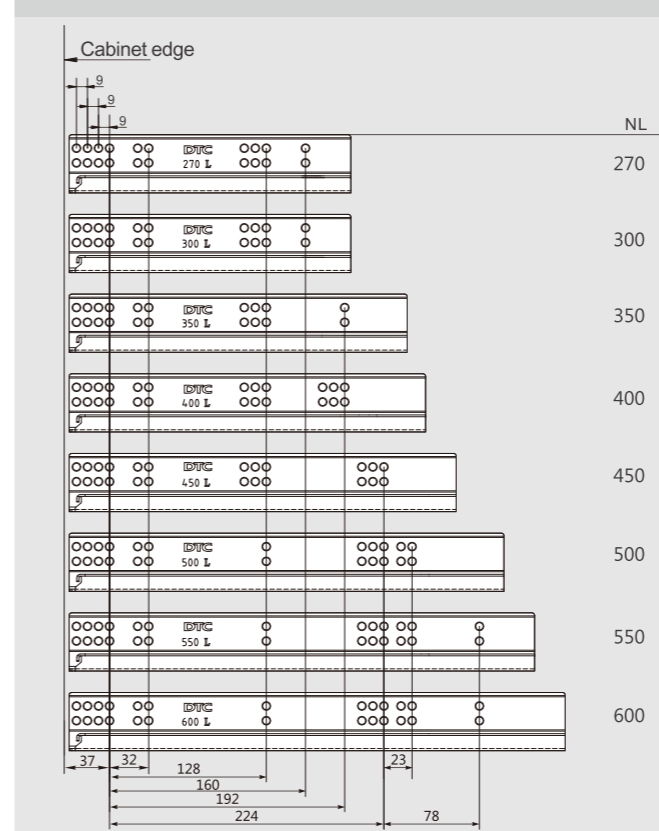


Rod for Push-open Synchronization / Industrial Package
Size:1100mm.Cutting:Internal cabinet width LW-172 for Nominal Side Length: 350mm、400mm、450mm、500mm、550mm、600mm

Item No.	Set/ctn
HT0FH02	60

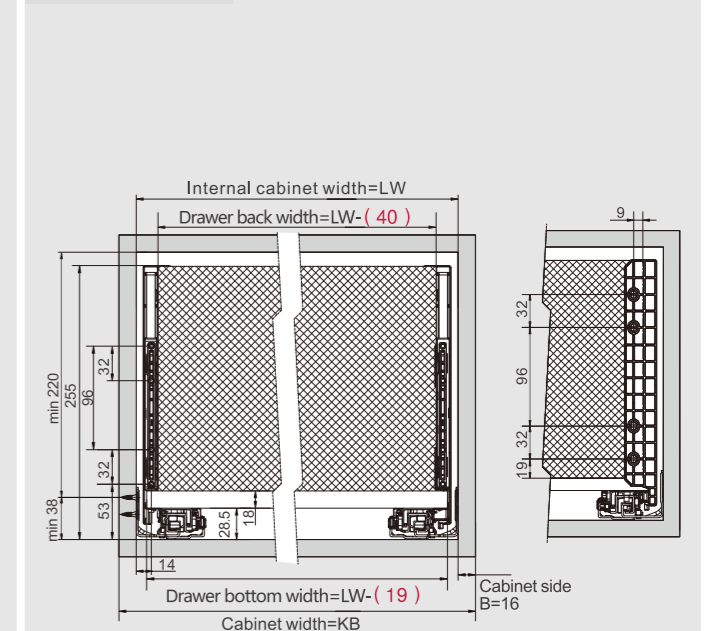


Screw Positions of the Slides(mm)

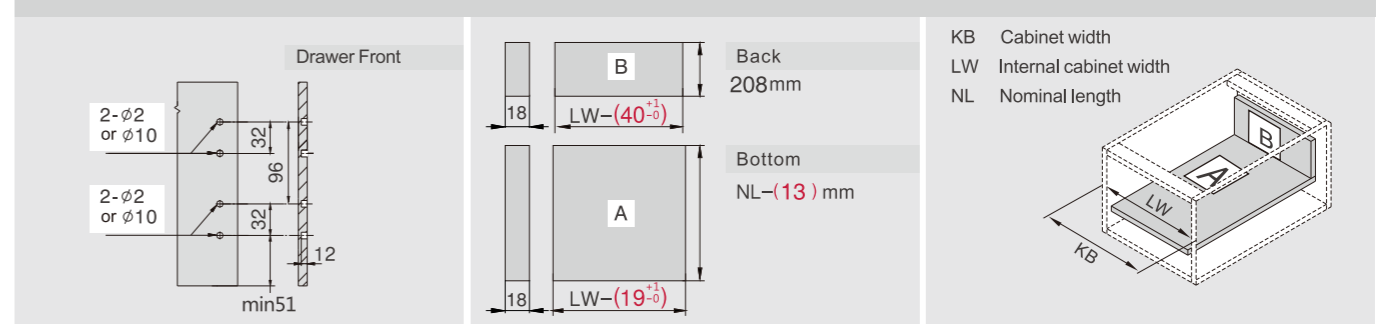


Installation Dimensions(mm)

LW=Internal Cabinet Width

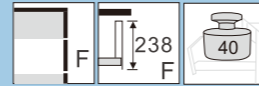


Drawer Front, Back and Bottom Dimensions(mm)



MAGIC-STAR PLUS

HD14 Series Straight-sided Drawer System (Super High Inner Drawer: F Height)



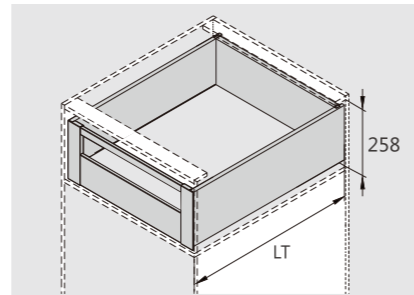
PRODUCT



DESCRIPTION

- Concealed, full extension
- Load capacity: 40kg
- Tool free assembly and removal of drawer
- Silent system guarantees smooth run without noise
- 3D adjustment: Up & down adjustment: ± 2 mm, left & right adjustment: ± 1.5 mm
- tilt adjustment: $+0.5$ mm, -2.5 mm
- Finish: Silk white(E29), Grey matt(E30)

SPACE REQUIREMENT

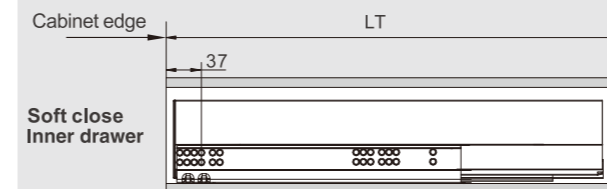


LT=Internal Cabinet Depth
Soft close slides LT=NL+3
Push-open slides LT=NL+13

PLANNING

Installation Dimensions(mm)

NL=Nominal Slide Length Soft close slides LT=NL+3
LT=Internal Cabinet Depth Push-open slides LT=NL+13



Cabinet Configuration

Cabinet widths/KB(mm)	Soft close drawer Stabilizer	Push-open drawer Synchronization rod	
300	-	○	not recommended
350	-	○	
400	-	○	
450	-	○	
500	-	○	recommended
600	-	○	
800	○	●	strongly recommended
900	○	●	
1000	○	●	
1200	○	●	

HIGH INNER DRAWER WITH SQUARE CROSS RAIL FOR WOOD DRAWER BACK

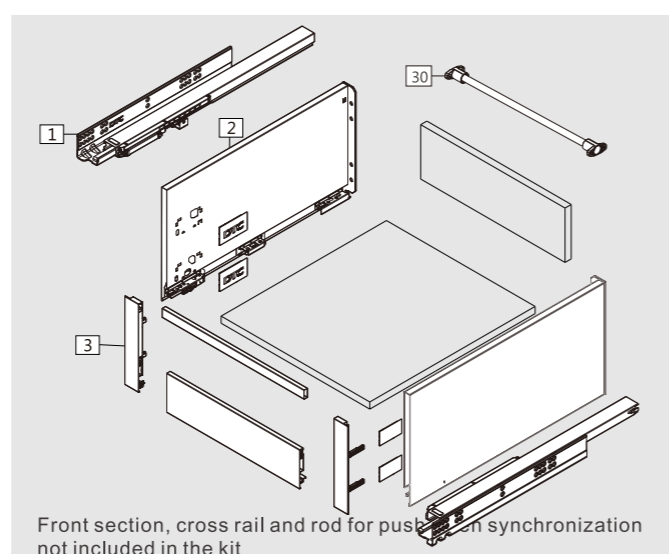
Kit Package				1 Slides (left/right) / Industrial Package				2 Drawer Sides and Cover Caps (left/right) / Industrial Package			
Silk White(E29)! Grey Matt(E30)!				Pre-zinc Steel(F02)				Silk White(E29)! Grey Matt(E30)!			
NL	Soft Close item No.	Push-open item No.	Set/ctn	NL	Soft Close item No.	Push-open item No.	Set/ctn	NL	Item No.	Set/ctn	
270mm	HD14270Q19	HD44270Q19	1	270mm	HD10270H	HD40270H	5	270mm	HE142709	5	
300mm	HD14300Q19	HD44300Q19	1	300mm	HD10300H	HD40300H	5	300mm	HE143009	5	
350mm	HD14350Q19	HD44350Q19	1	350mm	HD10350H	HD40350H	5	350mm	HE143509	5	
400mm	HD14400Q19	HD44400Q19	1	400mm	HD10400H	HD40400H	5	400mm	HE144009	5	
450mm	HD14450Q19	HD44450Q19	1	450mm	HD10450H	HD40450H	5	450mm	HE144509	5	
500mm	HD14500Q19	HD44500Q19	1	500mm	HD10500H	HD40500H	5	500mm	HE145009	5	
550mm	HD14550Q19	HD44550Q19	1	550mm	HD10550H	HD40550H	5	550mm	HE145509	5	
600mm	HD14600Q19	HD44600Q19	1	600mm	HD10600H	HD40600H	5	600mm	HE146009	5	

3 Front Fixing-brackets (left/right) / Industrial Package	
White(H03)! Dark Grey(H11)	
Item No.	Set/ctn
HD14014	60

7 Square Cross Rail / Industrial Package	
Silk White(E29)! Grey Matt(E30)	
Size:1100mm.Cutting:	Item No.
Internal cabinet width LW-72	Set/ctn
HT10071	60

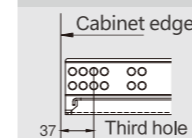
5 Front Section / Industrial Package	
Size:1100mm.Cutting:Internal cabinet width LW-97	
Silk White(E29)! Grey Matt(E30)	
Item No.	Set/ctn
HT10022	20

30 Rod for Push-open Synchronization / Industrial Package	
Size:1100mm.Cutting:Internal cabinet width LW-172 for Nominal Side Length: 350mm, 400mm, 450mm, 500mm, 550mm, 600mm	
Item No.	Set/ctn
HT0FH02	60

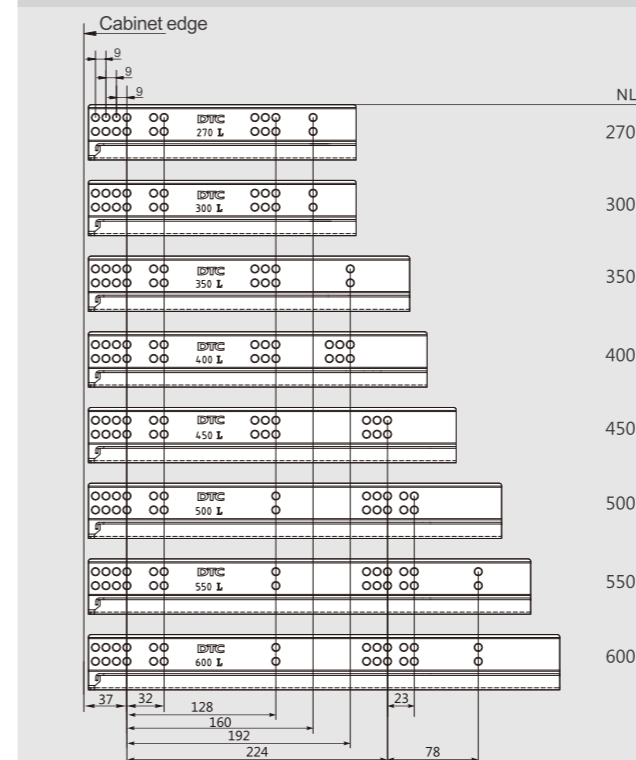


Front section, cross rail and rod for push-open synchronization not included in the kit

Fixing Hole Position for Push-open Inner Drawer(mm)

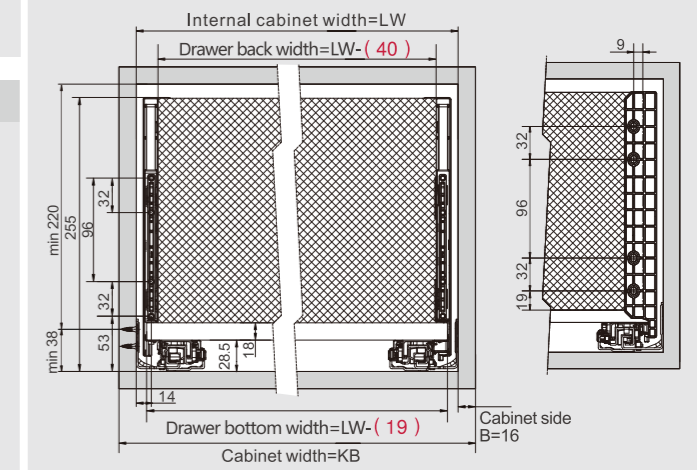


Screw Positions of the Slides(mm)

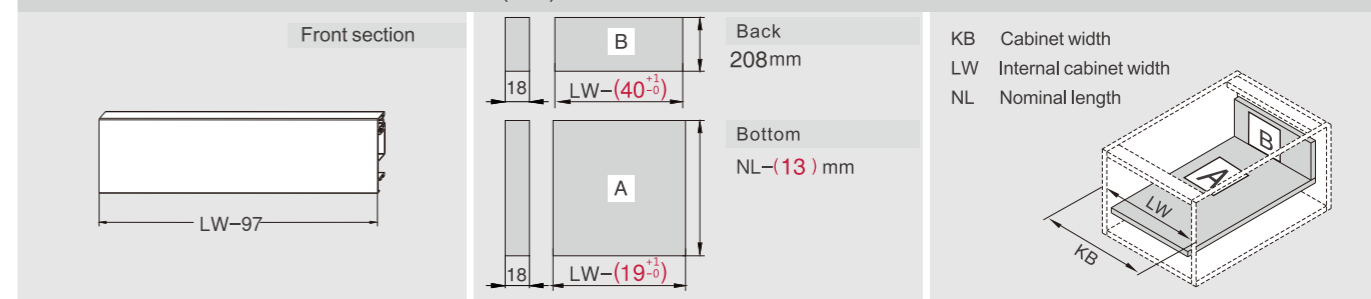


Installation Dimensions(mm)

LW=Internal Cabinet Width



Front Section, Back and Bottom Dimensions(mm)



ASSEMBLY AND ADJUSTMENT

Assembly and Adjustment(for MAGIC-STAR PLUS)

