

LUXURIOUS DRAWER
SYSTEMS

PURE BOX

PURE BOX

A Perfect Mix of Fashion and Function

Slimmer Drawer More Storage Space



- Straight-side slim drawer, much more storage space
- Widely used in most undermount slides on the market
- Perfect connection between components makes a beautiful drawer



Quietness



Intelligence



Durability



Eco-Friendliness

PURE BOX

HL11 Series Straight-sided Drawer System (Low Drawer: M Height)



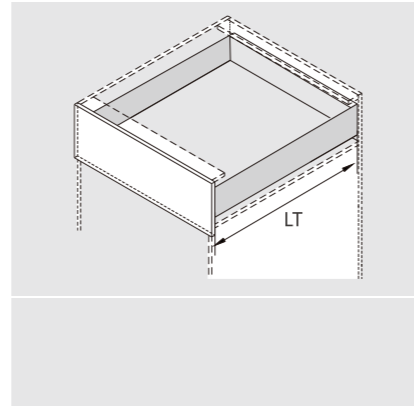
PRODUCT



DESCRIPTION

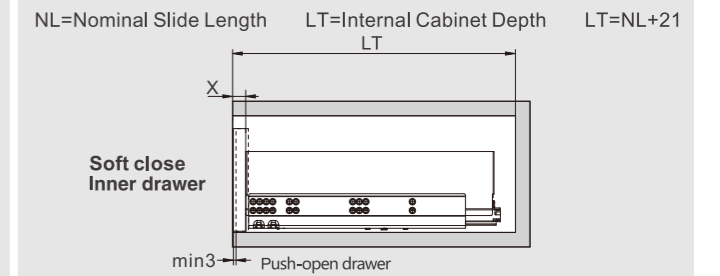
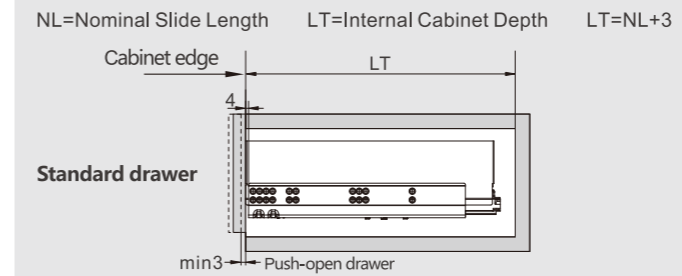
- Adjustment:left & right adjustment:±1.5mm,
- Finish: Grey matt(E30)

SPACE REQUIREMENT



PLANNING

Installation Dimensions(mm)

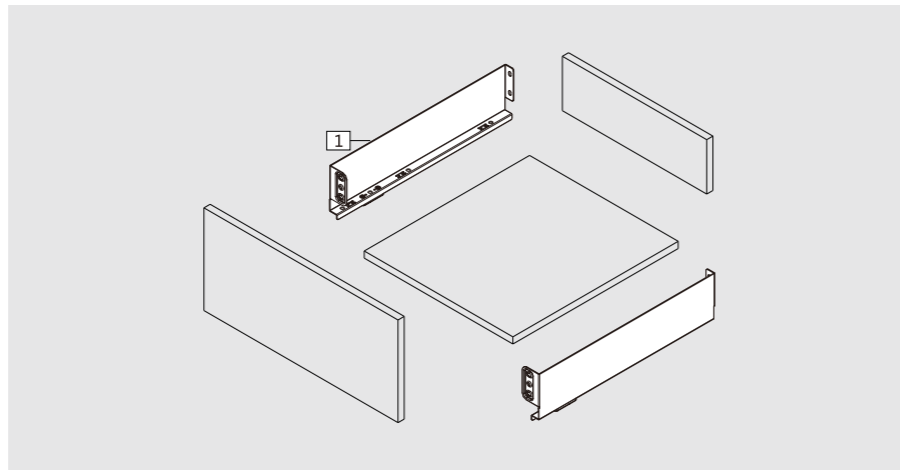


LOW DRAWER FOR WOOD DRAWER BACK

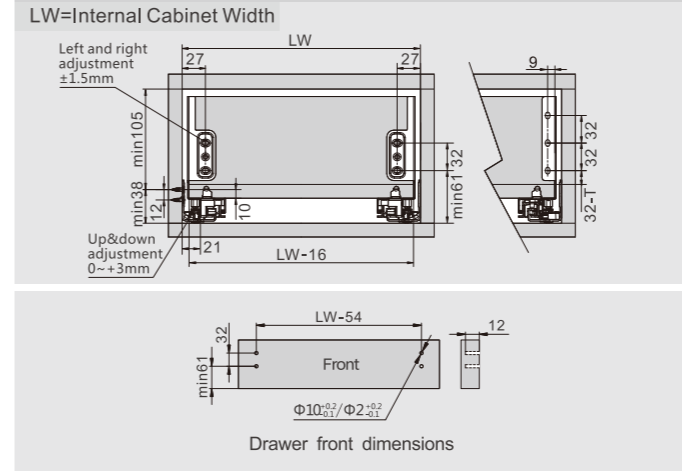
1 Drawer Sides /Industrial Package

Grey Matt(E30)

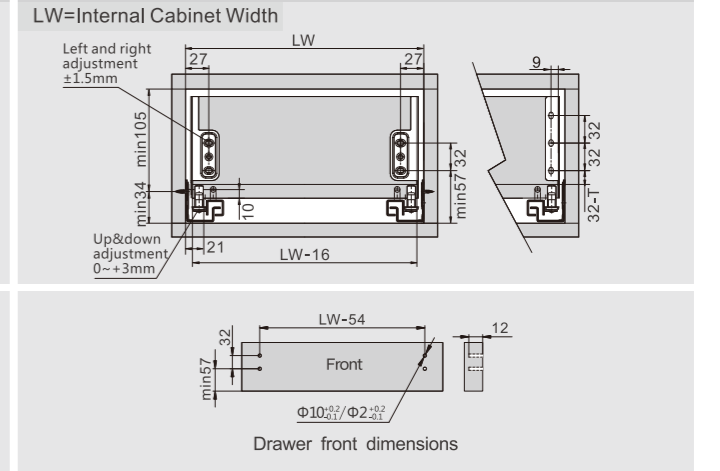
NL	Item No.	Set/ctn
250mm	HL11250	10
270mm	HL11270	10
300mm	HL11300	10
350mm	HL11350	10
400mm	HL11400	10
450mm	HL11450	10
500mm	HL11500	10
550mm	HL11550	10



SS10C Series Undermount Slides with Peg(16mm) Installation Dimensions (mm)



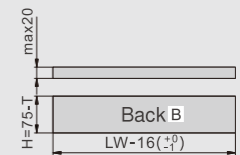
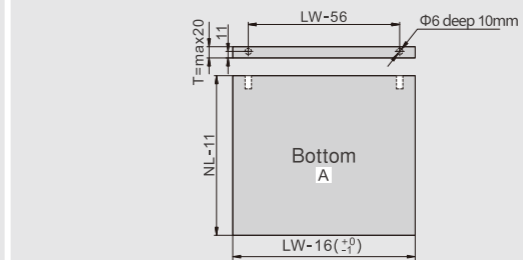
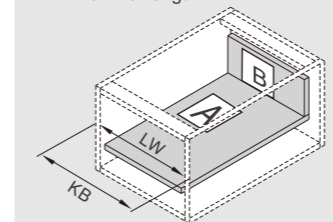
G10C Series Undermount Slides with Peg(16mm) Installation Dimensions (mm)



Drawer Front, Back and Bottom Dimensions(mm)

- KB Cabinet width
- LW Internal cabinet width
- NL Nominal length

T=Bottom thickness



PURE BOX

HL12 Series Straight-sided Drawer System (Medium Drawer: K Height)



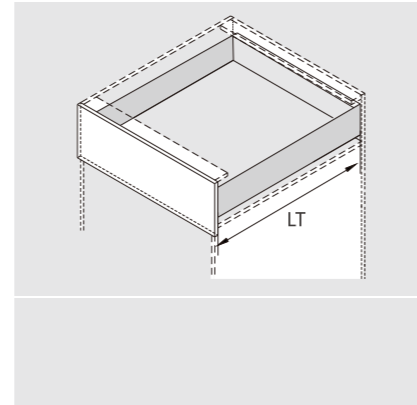
PRODUCT



DESCRIPTION

- Adjustment:left & right adjustment:±1.5mm,
- Finish: Grey matt(E30)

SPACE REQUIREMENT



PLANNING

Installation Dimensions(mm)

NL=Nominal Slide Length LT=Internal Cabinet Depth LT=NL+3 NL=Nominal Slide Length LT=Internal Cabinet Depth LT=NL+21

Standard drawer

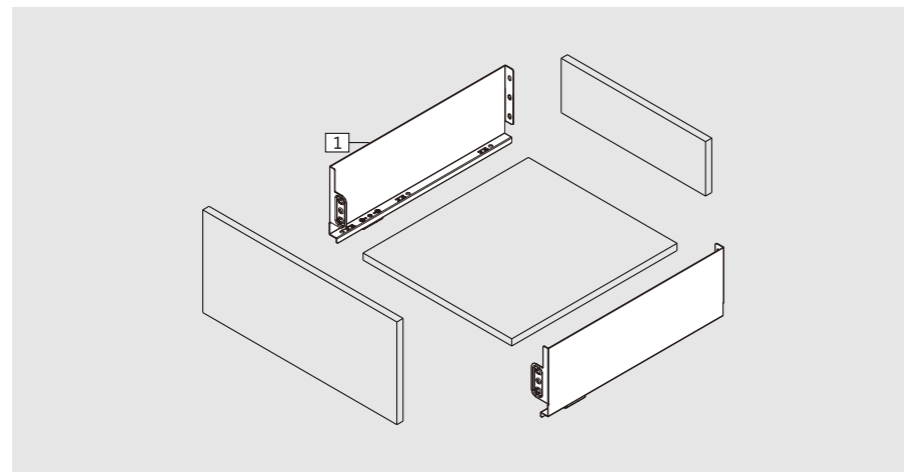
Soft close Inner drawer

MEDIUM DRAWER FOR WOOD DRAWER BACK

1 Drawer Sides / Industrial Package

Grey Matt(E30)

NL	Item No.	Set/ctn
250mm	HL12250	10
270mm	HL12270	10
300mm	HL12300	10
350mm	HL12350	10
400mm	HL12400	10
450mm	HL12450	10
500mm	HL12500	10
550mm	HL12550	10



SS10C Series Undermount Slides with Peg(16mm) Installation Dimensions (mm)

LW=Internal Cabinet Width

Left and right adjustment ±1.5mm

Up&down adjustment 0~+3mm

min38 min105 27 LW 27 min61 32 9 32-T 32 32

LW-16

min61 32 LW-54 12

Φ10^{+0.02}/Φ2^{+0.02}

Drawer front dimensions

**G10C Series Undermount Slides with Peg(16mm)
Installation Dimensions (mm)**

LW=Internal Cabinet Width

Left and right adjustment ±1.5mm

Up&down adjustment 0~+3mm

min34 min105 27 LW 27 min57 32 9 32-T 32 32

LW-16

min57 32 LW-54 12

Φ10^{+0.02}/Φ2^{+0.02}

Drawer front dimensions

Drawer Front, Back and Bottom Dimensions(mm)

KB Cabinet width
LW Internal cabinet width
NL Nominal length

T=Bottom thickness

Bottom A

Back B

PURE BOX

HL13 Series Straight-sided Drawer System (High Drawer: C Height)



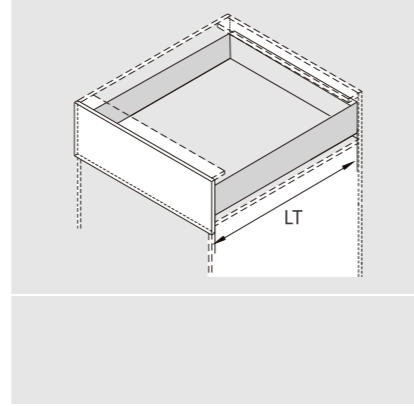
PRODUCT



DESCRIPTION

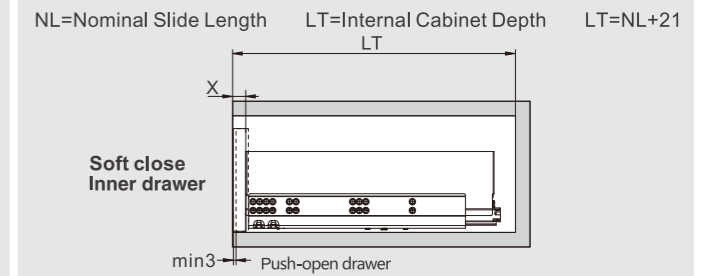
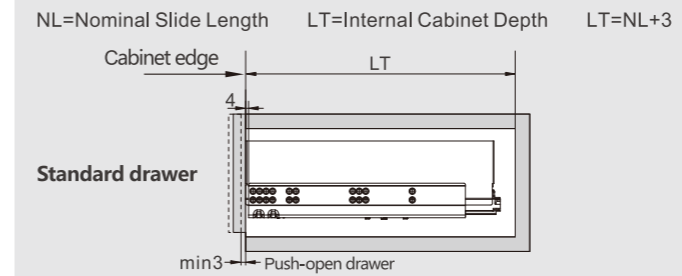
- Adjustment:left & right adjustment:±1.5mm,
- Finish: Grey matt(E30)

SPACE REQUIREMENT



PLANNING

Installation Dimensions(mm)

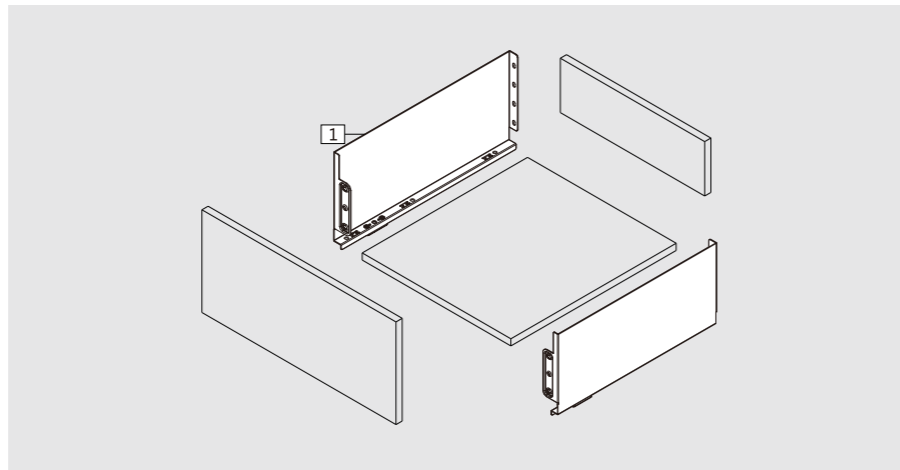


HIGH DRAWER FOR WOOD DRAWER BACK

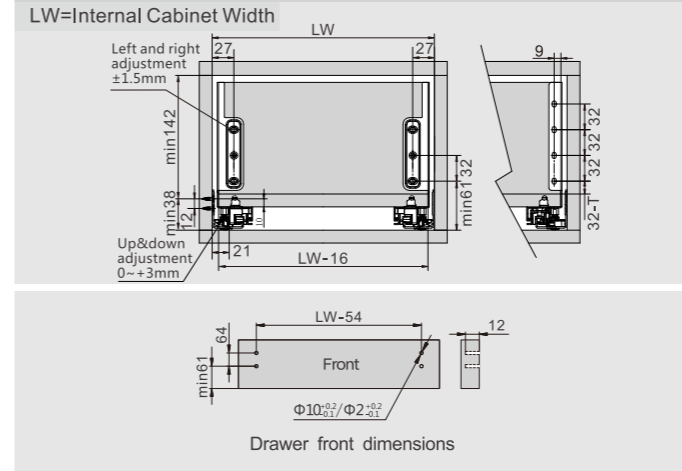
1 Drawer Sides /Industrial Package

Grey Matt(E30)

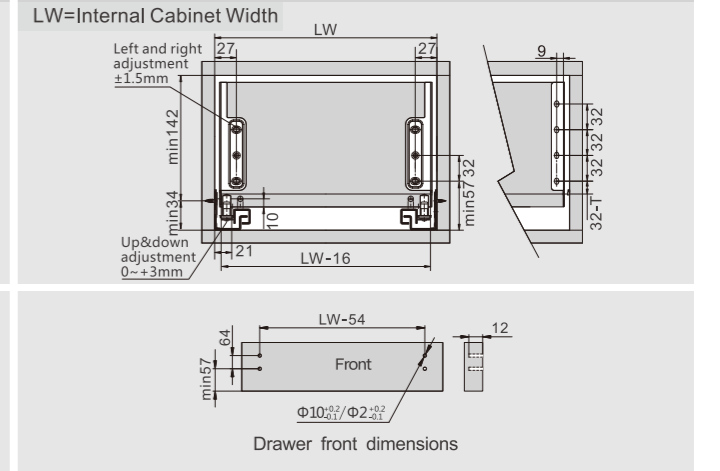
NL	Item No.	Set/ctn
250mm	HL13250	10
270mm	HL13270	10
300mm	HL13300	10
350mm	HL13350	10
400mm	HL13400	10
450mm	HL13450	10
500mm	HL13500	10
550mm	HL13550	10



SS10C Series Undermount Slides with Peg(16mm) Installation Dimensions (mm)



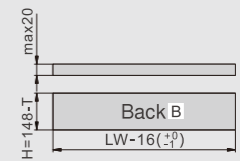
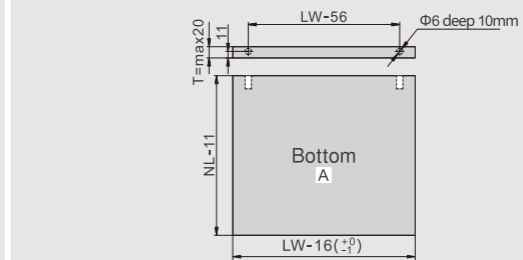
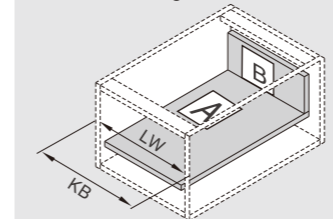
G10C Series Undermount Slides with Peg(16mm) Installation Dimensions (mm)



Drawer Front, Back and Bottom Dimensions(mm)

- KB Cabinet width
- LW Internal cabinet width
- NL Nominal length

T=Bottom thickness

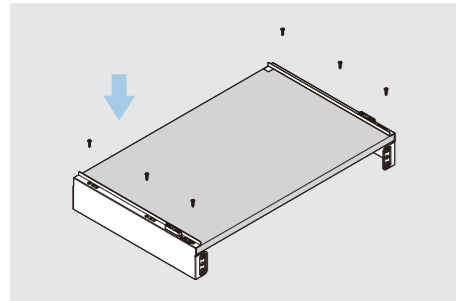


ASSEMBLY AND ADJUSTMENT

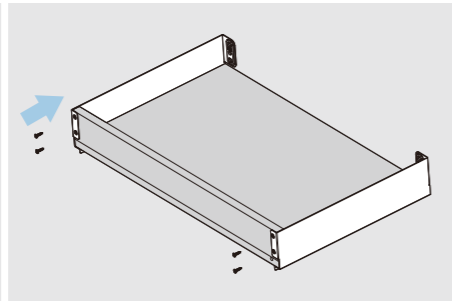
Assembly and Adjustment(For PURE BOX)



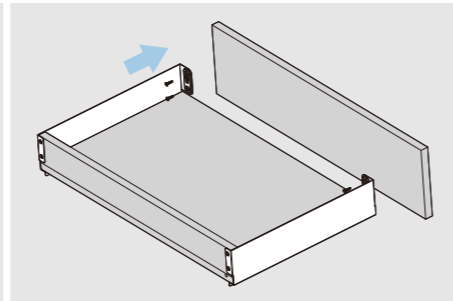
Assembly



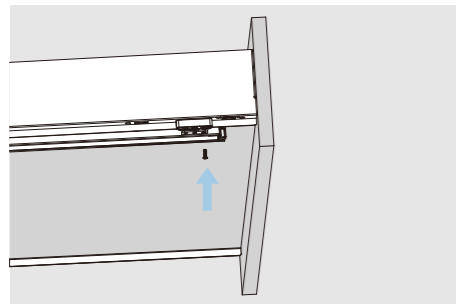
Bottom assembly



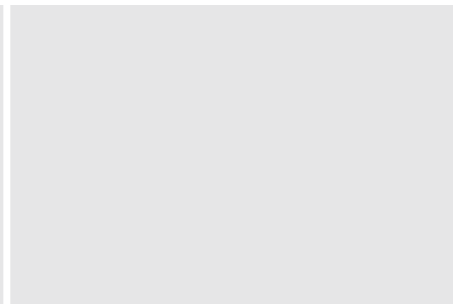
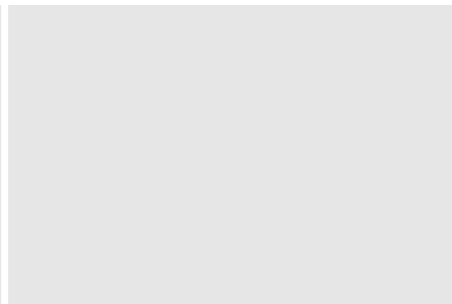
Back assembly



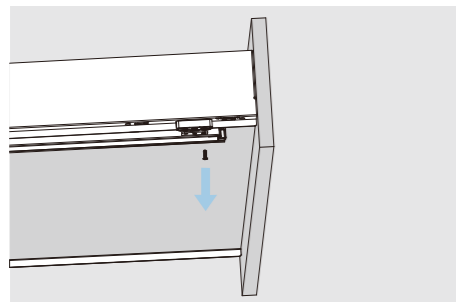
Front assembly



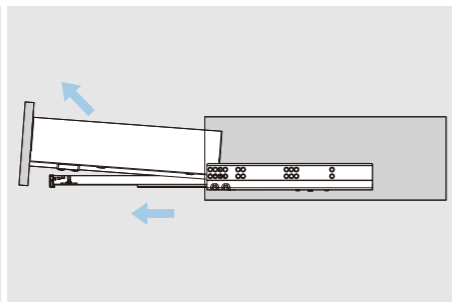
Lock device with screws



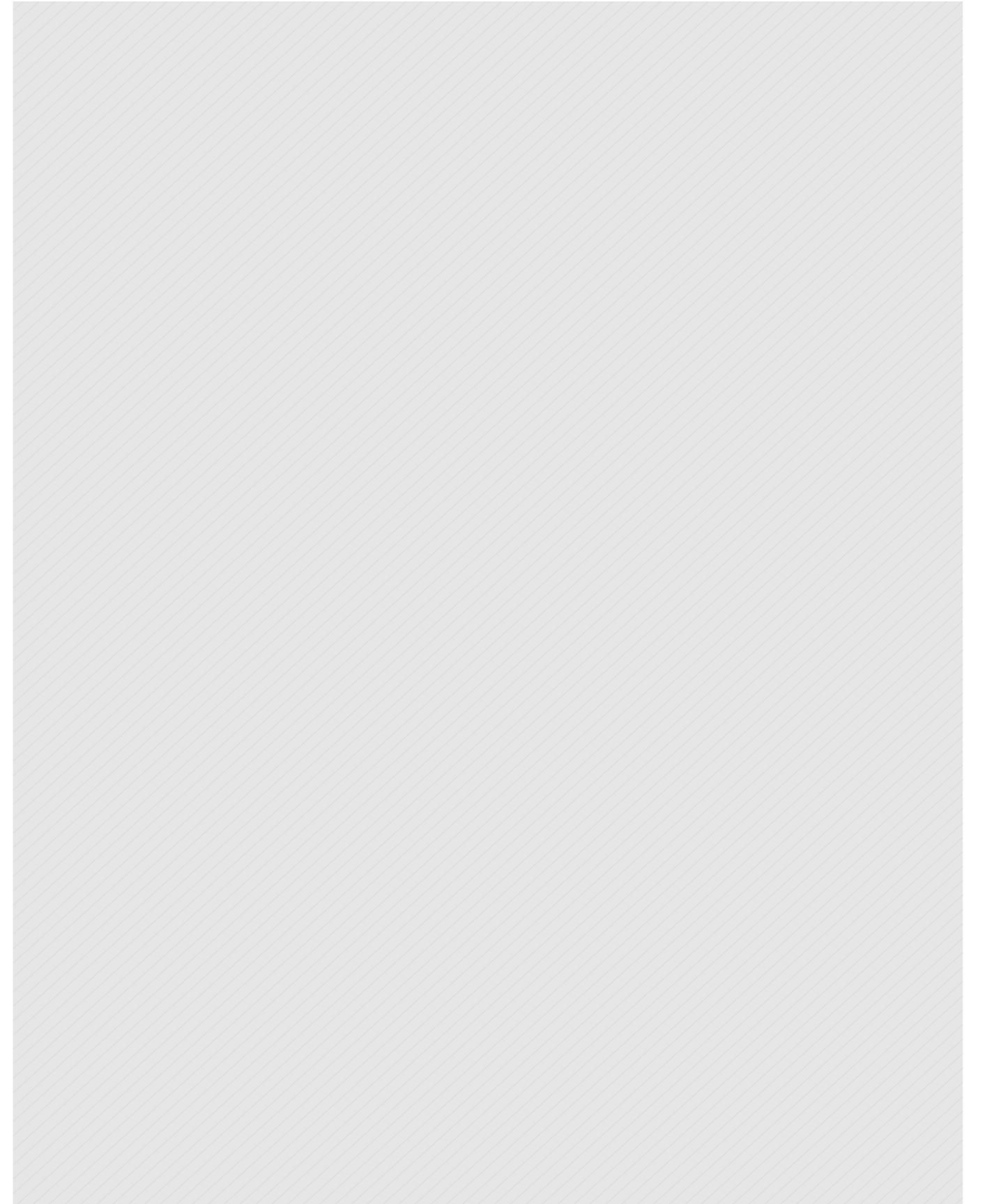
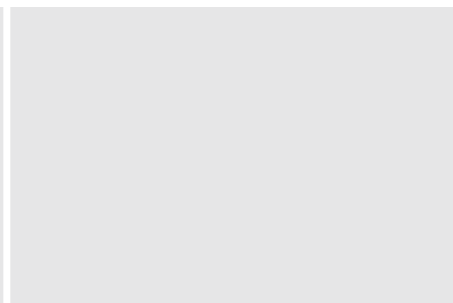
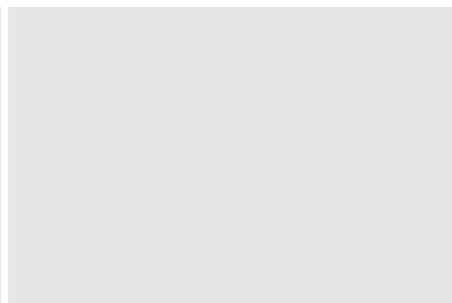
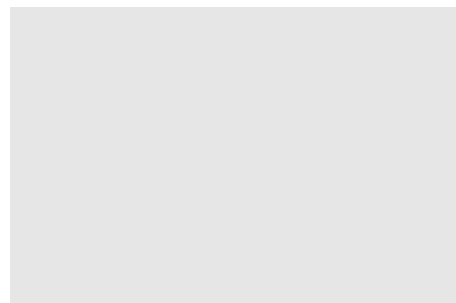
Removal



Remove the screw of the locking device



Lift the drawer and pull it out from the cabinet



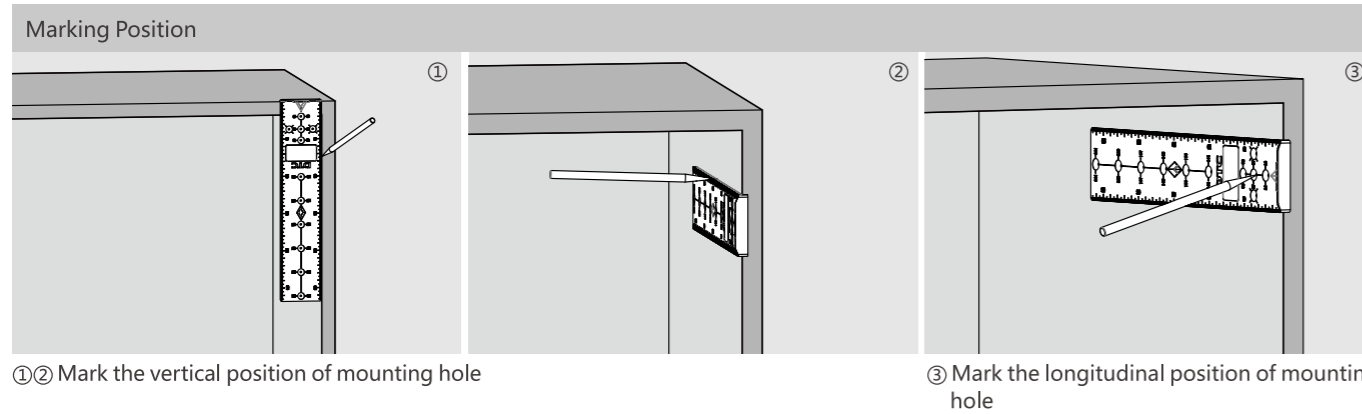
ACCESSORY

Marking Template (for Drawer Slide System)

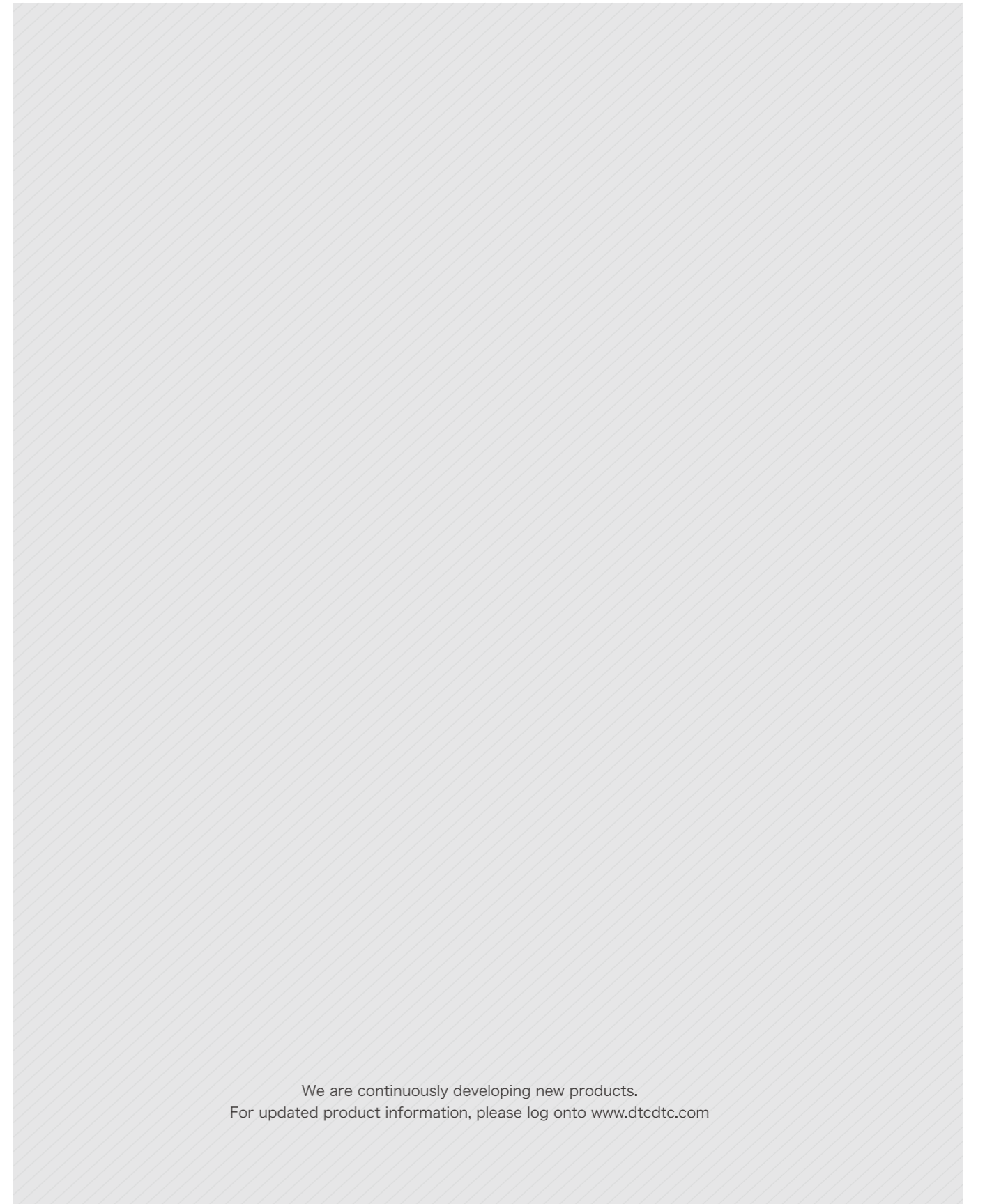
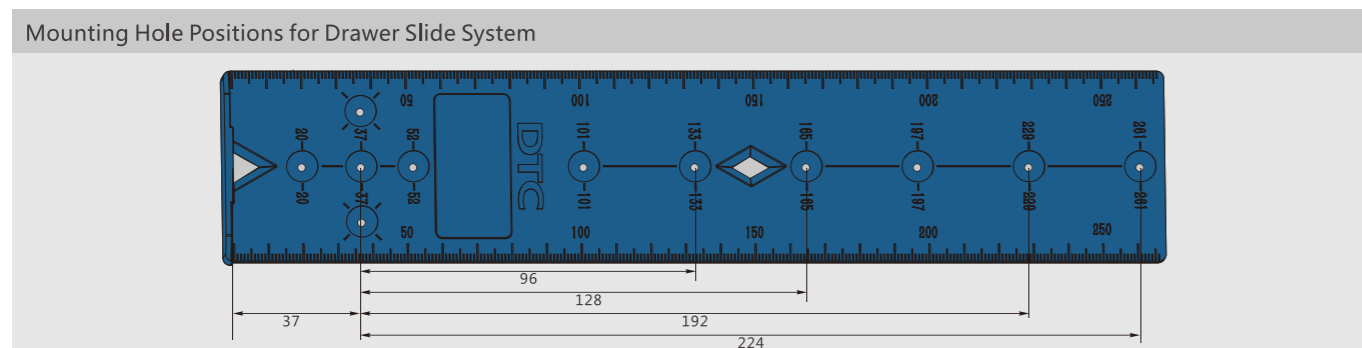
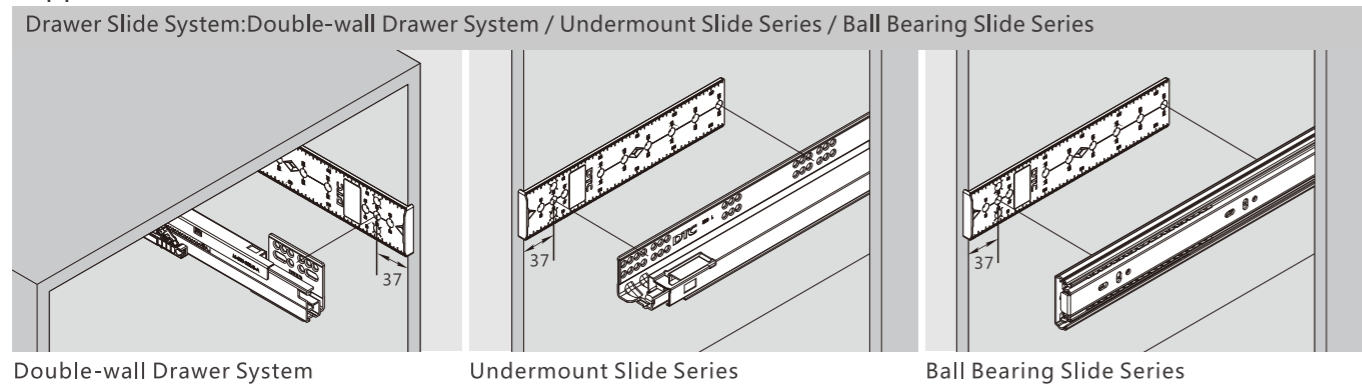


Order Information

	Universal Marking Template
	Blue (H23)
	Item No. DT02
	Pcs/ctn 100



Application



We are continuously developing new products.
For updated product information, please log onto www.dtcctc.com