

D-MOTION PLUS

GG10 Series 7/8 Extension Soft-close Undermount Slides with Peg



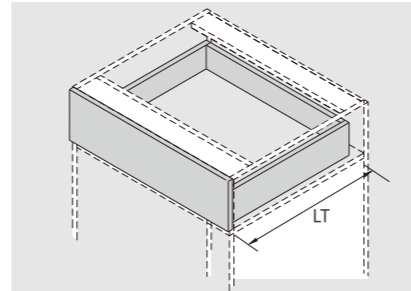
PRODUCT



DESCRIPTION

- Load capacity: 25kg
- Finish: zinc plated
- Length: 250-600mm
- 7/8 extension
- Drawer up&down adjustment: 0~+4mm
- Tool free assembly and removal of drawer
- Silent system guarantees smooth run without noise
- Maximum drawer side thickness: 16mm

SPACE REQUIREMENT

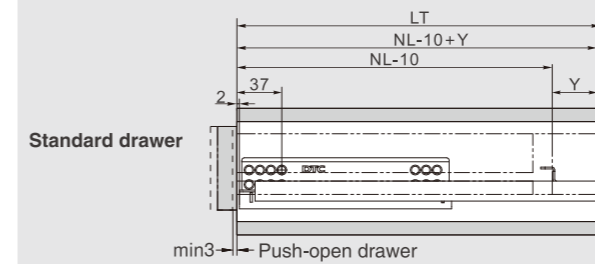


NL=Nominal Slide Length
 LT=Internal Cabinet Depth
 Standard drawer : $LT=NL-10+Y+3$
 Inner drawer : $LT=NL-10+Y+21$

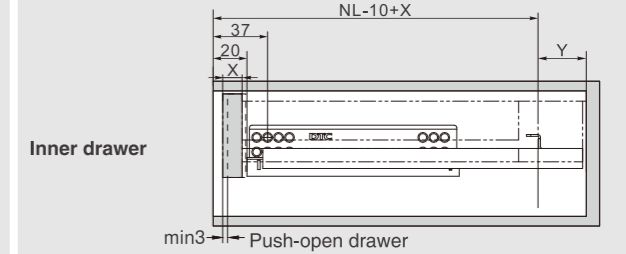
PLANNING

Installation Dimensions(mm)

NL=Nominal Slide Length LT=Internal Cabinet Depth LT=NL-10+Y+3	NL(mm)	250	270	300	350	400	450
Y(mm)		25			35		



NL=Nominal Slide Length LT=Internal Cabinet Depth LT=NL-10+Y+21	NL(mm)	250	270	300	350	400	450
Y(mm)		25			35		

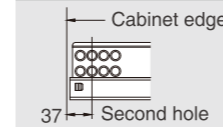


SOFT CLOSE DRAWER/PUSH-OPEN DRAWER

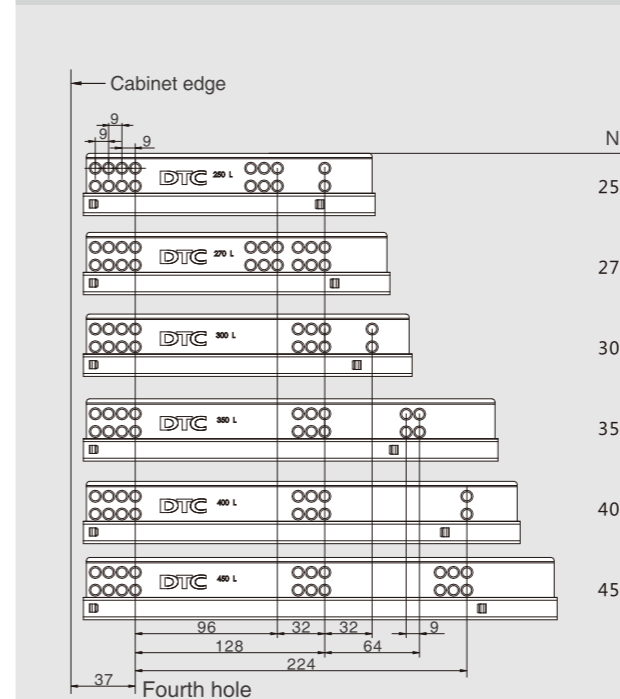
1	Slides (left/right)		
Pre-zinc Steel (F02)			
NL	Soft close item No.	Push-open item No.	Set/ctn
250mm	GG10250H1	GG10250G1	10
270mm	GG10270H1	GG10270G1	10
300mm	GG10300H1	GG10300G1	10
350mm	GG10350H1	GG10350G1	10
400mm	GG10400H1	GG10400G1	10
450mm	GG10450H1	GG10450G1	10

2	Locking Pin
Grey(H11)	
Item No.	GJS02

Fixing Hole Position for Inner Drawer(mm)

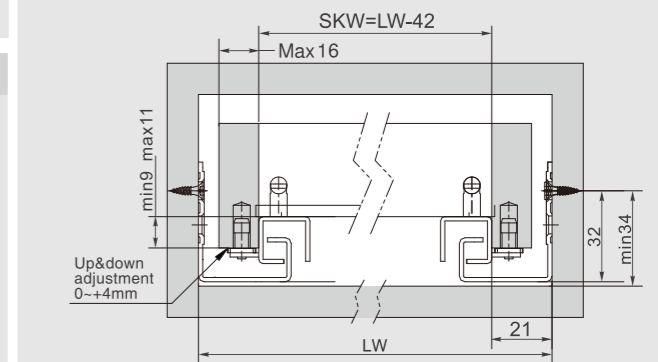


Screw Positions of the Slides(mm)

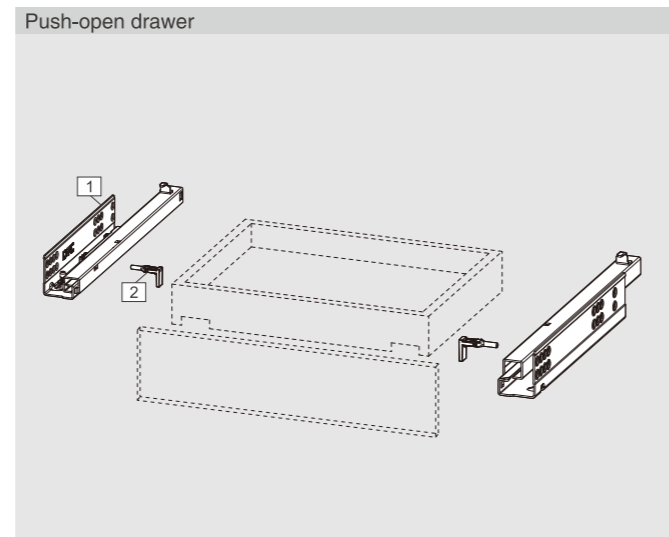
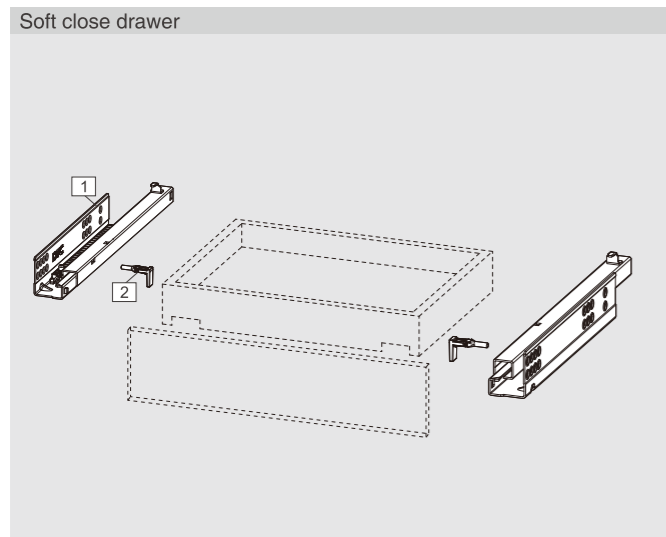
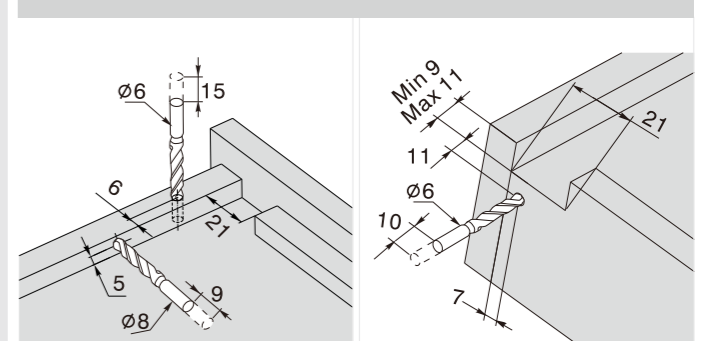


Installation Dimensions(mm)

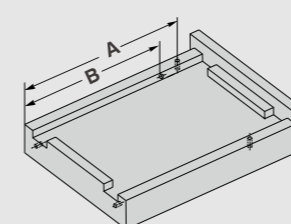
LW=Internal Cabinet Width



Drawer Preparation(mm)

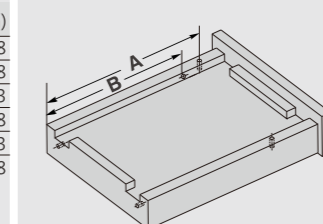


Soft close drawer



NL (mm)	A (mm)	B (mm)
250	220	188
270	230	198
300	245	213
350	270	238
400	305	273
450	330	298

Push-open drawer



NL (mm)	A (mm)	B (mm)
250	221	189
270	241	209
300	271	239
350	321	289
400	371	339
450	421	389