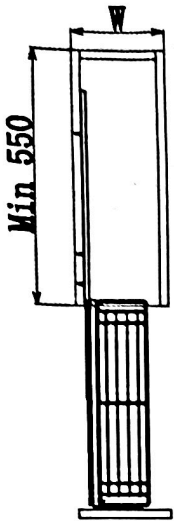


# Installation manual

Fit for 45mm ball bearing slide & Soft closing ball bearing slide

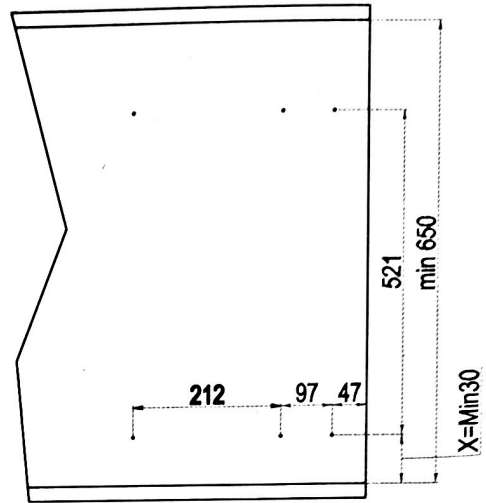
Fit for two-layer baskets / three-layer baskets



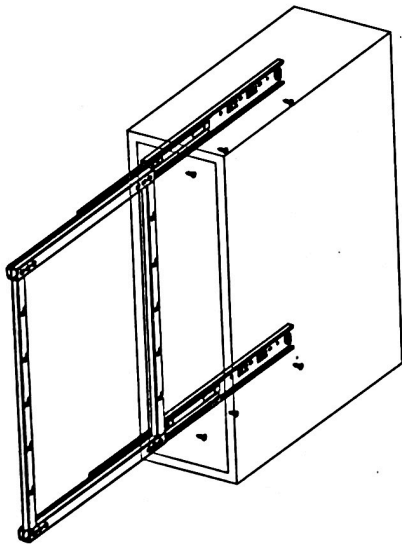
Cabinet	Item size
150mm	110*400*555
200mm	140*400*555
300mm	240*400*555

Accessory	Photo	QTY
573.5*16 screw		14
M5*8 screw		4
M5*12 screw		2
L shape fixing plate		2
Frame		1

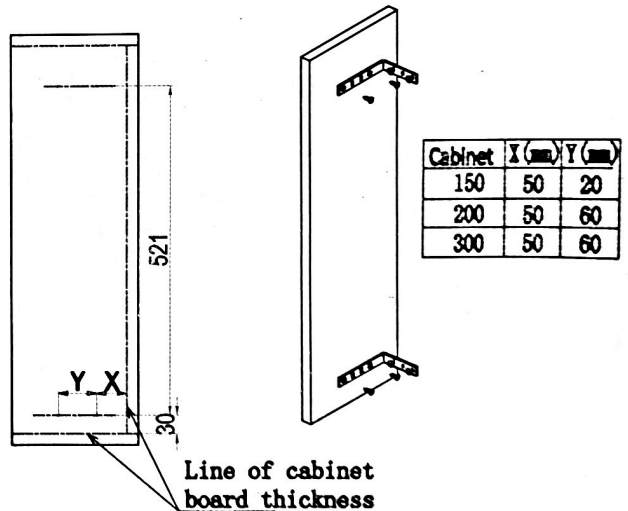
- 1** Drill 6 x Dia.2.5 holes on the side panel of Cabinet as below:



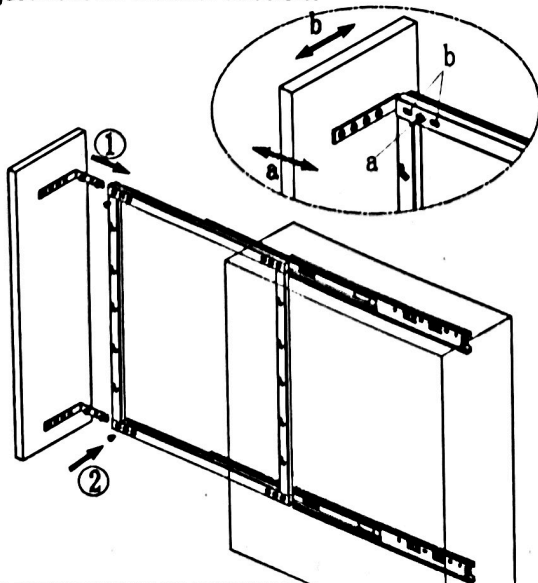
- 2** Install the frame to the cabinet, fix by 6 pcs screws.



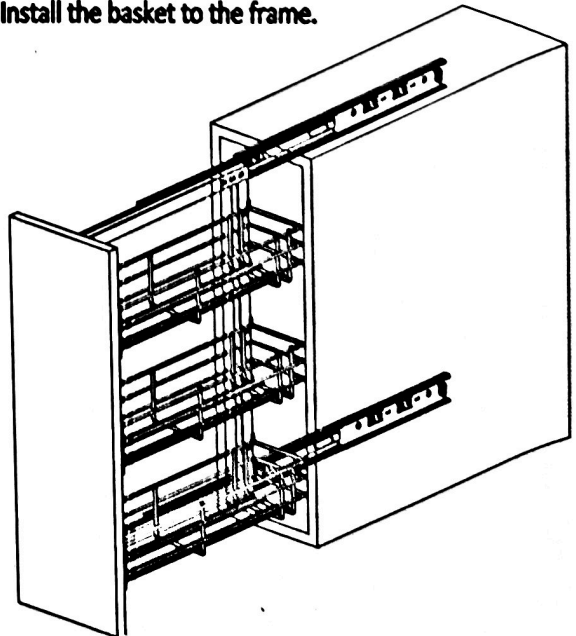
- 3** Drill 4 x Dia.2.5 holes one the door as below, fix the L shape fixing plate by screws.



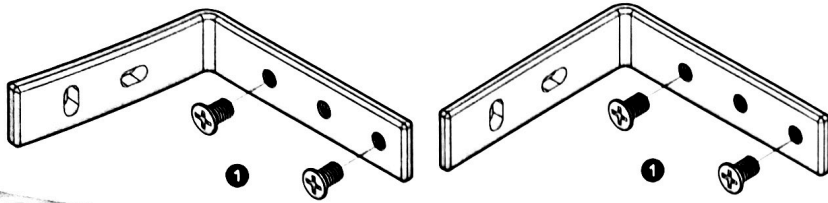
- 4** Connect between the door and the frame, make adjustment for the door as below:



- 5** Install the basket to the frame.



# 1 Fitting Fascia Bracket to Frame

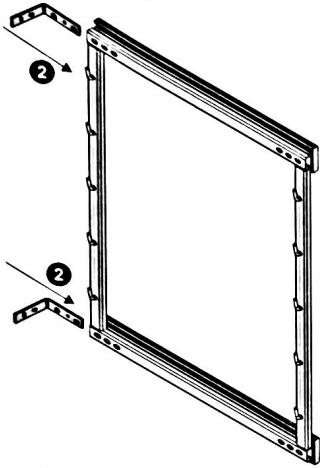


Note: Do this prior to Step 16-18 of cabinet assembly.

1

Supplied with wirework 4

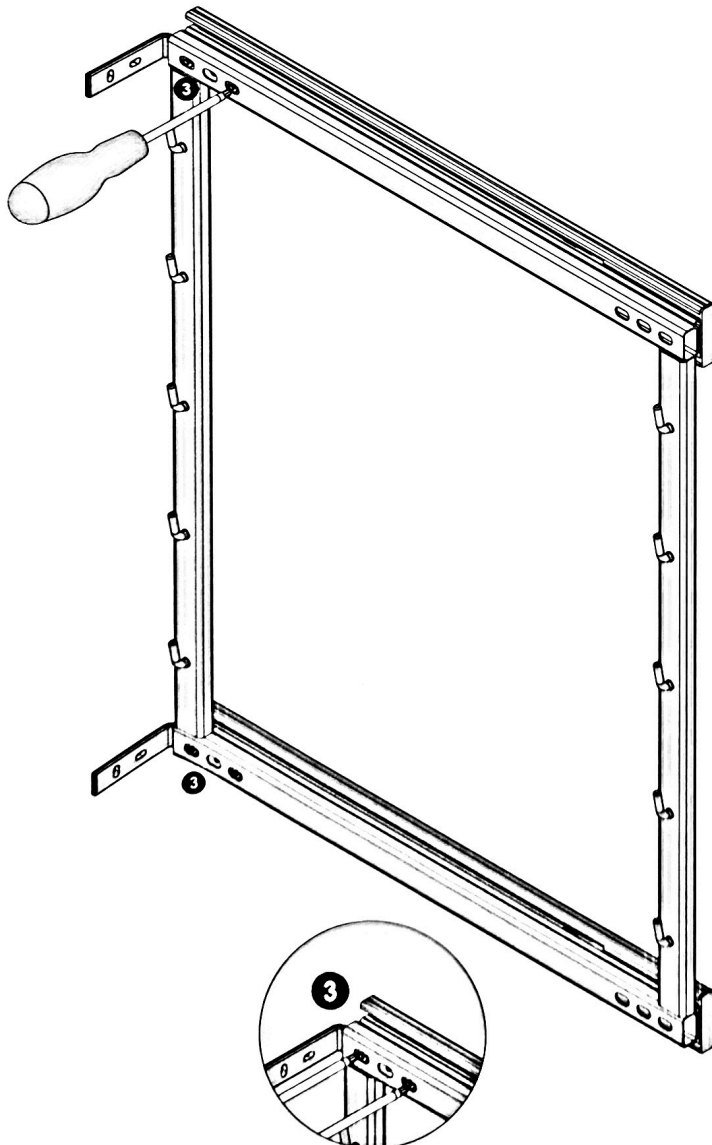
2



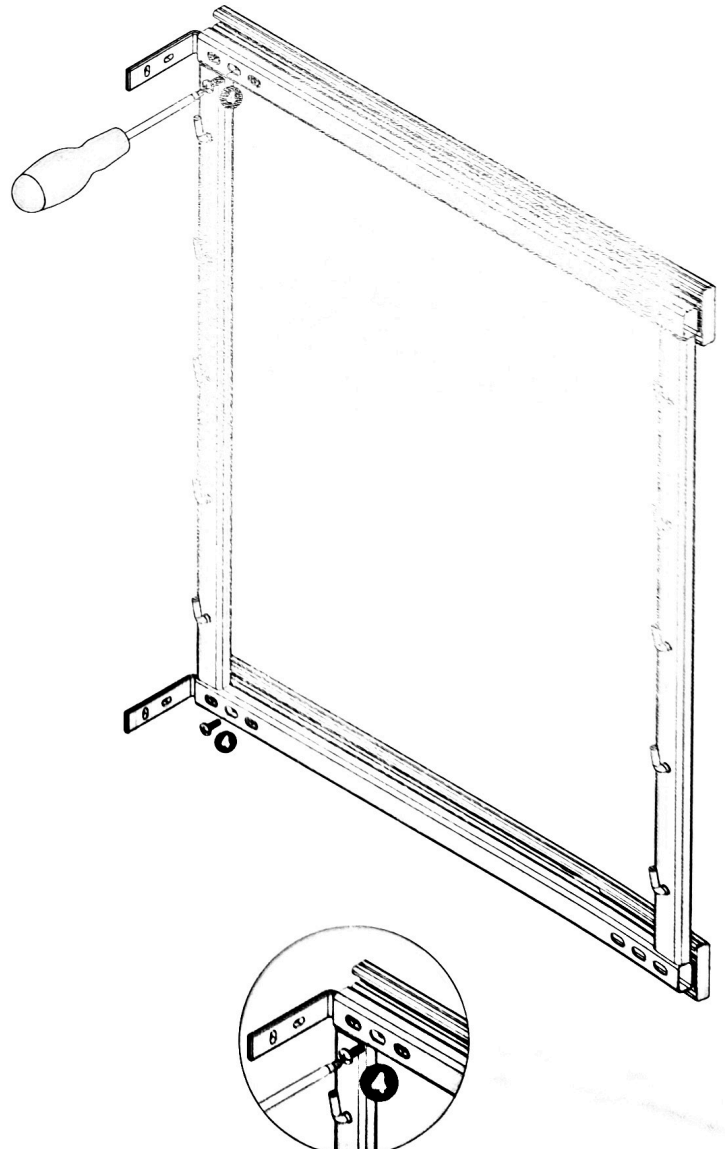
Note: Do this after Step 16-18 of cabinet assembly. Slide brackets into frame.

For ease of viewing on this addendum fascia has been removed.

3



4

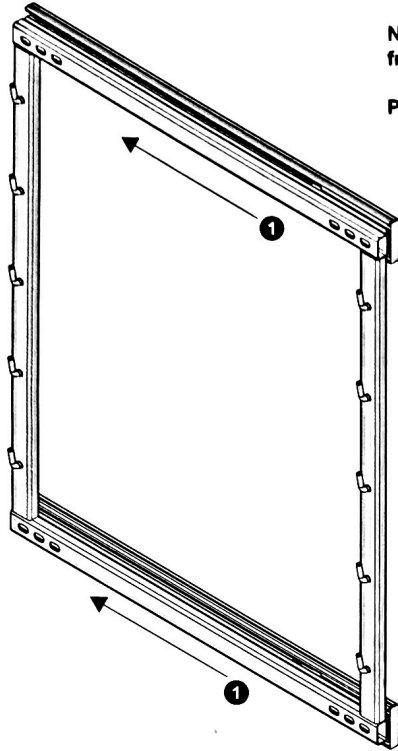


# 150 Pull Out Unit Wirework Guidance

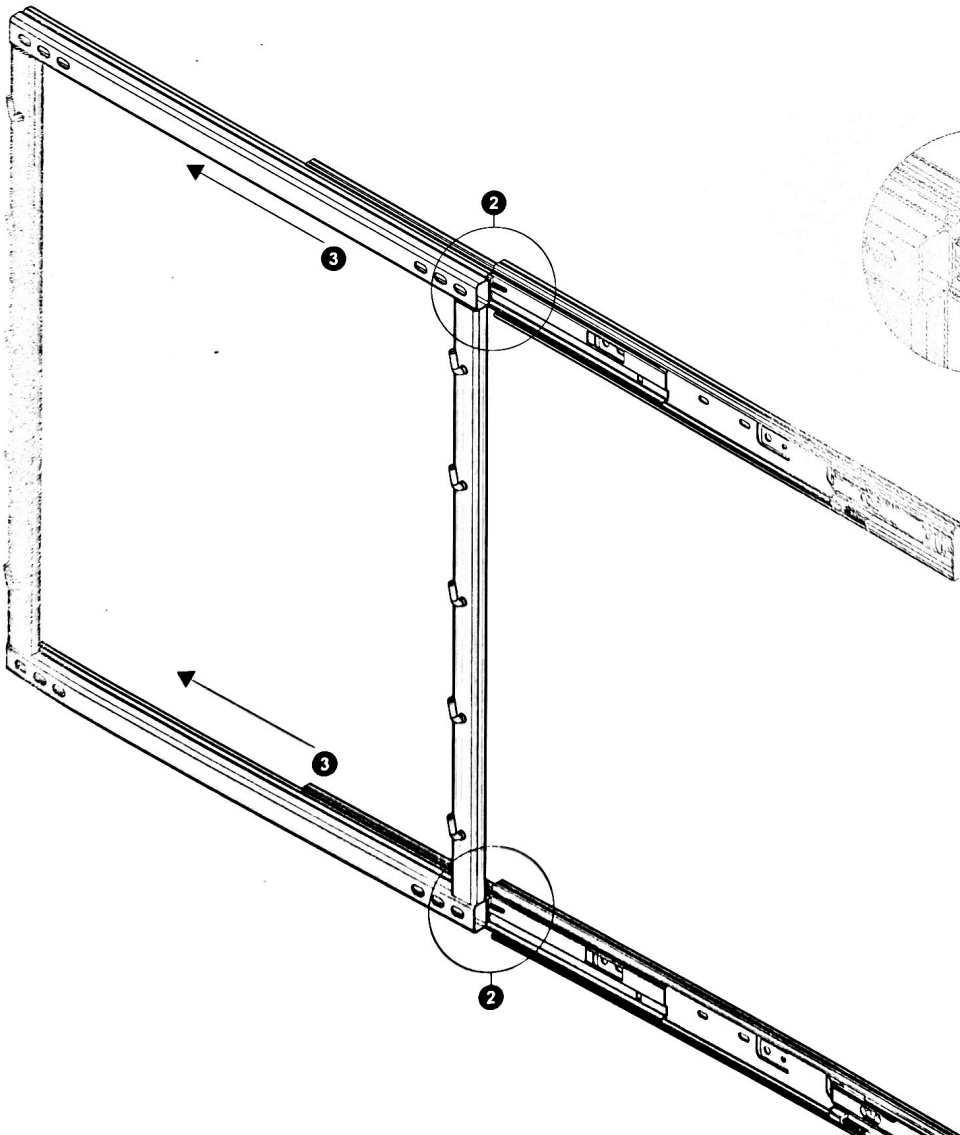
## 1 Removing Frame from Runners

Note: Wirework may be supplied already placed on runners. For ease of fitting, remove frame with following guidance before constructing cabinet.

Pull frame out so runners are fully extended.



## 2 — 3



Note: Push and hold tabs up as shown in Step 2, and then pull frame from runner. Refer to main cabinet instructions for assembly.