

FITTINGS CO

135° Snap-on Cam-adjustable Soft-close Hinges

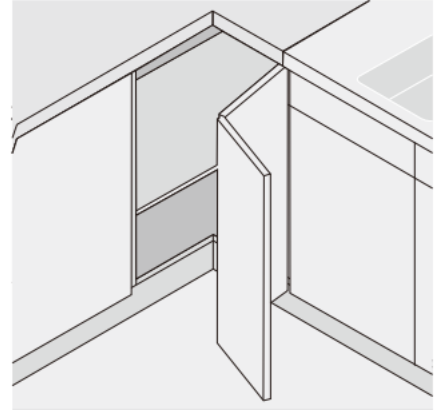
PRODUCT



DESCRIPTION

- Opening angle: 55°
- Depth of hinge cup: 11.5mm
- Diameter of hinge cup: 35mm
- Range of door thickness: 14-26mm
- Possible drilling distances on the door(K): 3-7 mm

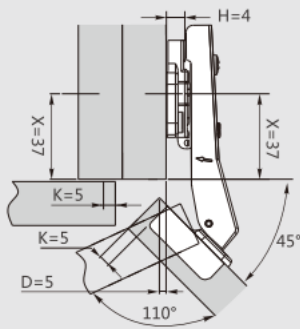
APPLICATION



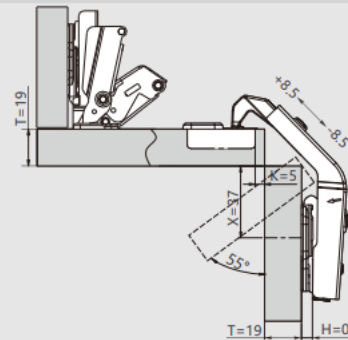
Φ 35MM CORNER DOOR, BI-FOLD DOOR, -45° ~ 45° ANGLED HINGE APPLICATIONS

Kitchen corner door applications

45°

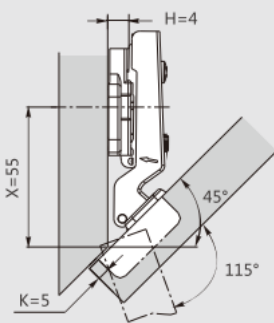


135°

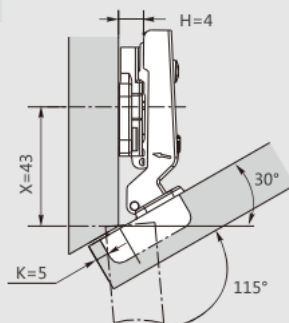


Negative angled hinge applications

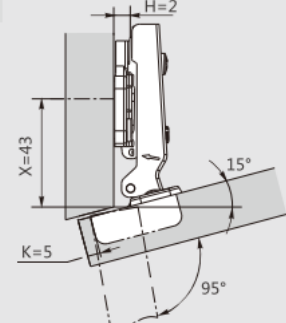
-45°



-30°

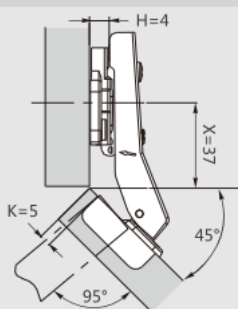


-15°

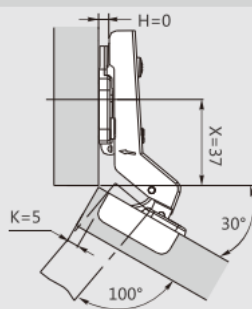


Positive angled hinge applications

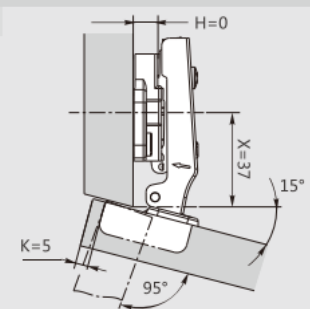
45°



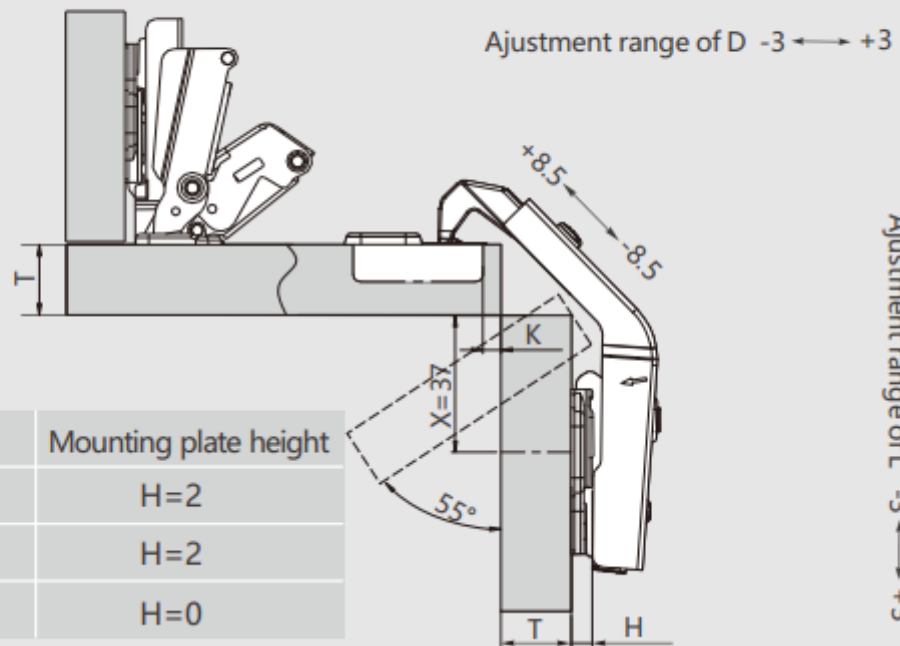
30°



15°



T=Door thickness D=Required door overlay H=Height of the mounting plate
 X=Distance from bottom plate screw hole to plate edge K=Drilling distance
 L=Gap between door and carcase



Door thickness	Mounting plate height
$14 \leq T < 19$	H=2
T=19	H=2
$19 < T \leq 26$	H=0